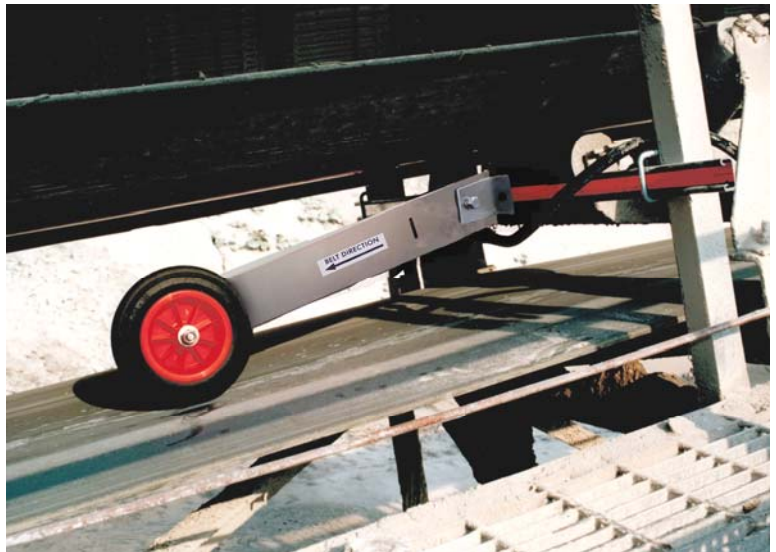


PPE 4000 Series Polypropylene Body Heavy Duty – End of Shaft

The PPE 4000 series of Rotech shaft encoders are manufactured in an extremely tough and durable 30% glass fibre reinforced polypropylene housing.

Installation is simple & easy, just requiring one 12mm threaded hole in the end of the shaft being monitored or using the unique 'Mag-con' magnetic connector.

A wide range of number of pulses per revolution are available together with AC and DC electrical outputs.



FOR MONITORING:

- Speed
- Distance
- Direction
- Belt slip
- Shaft stopped
- Underspeed
- Overspeed
- Safety guards interlocking

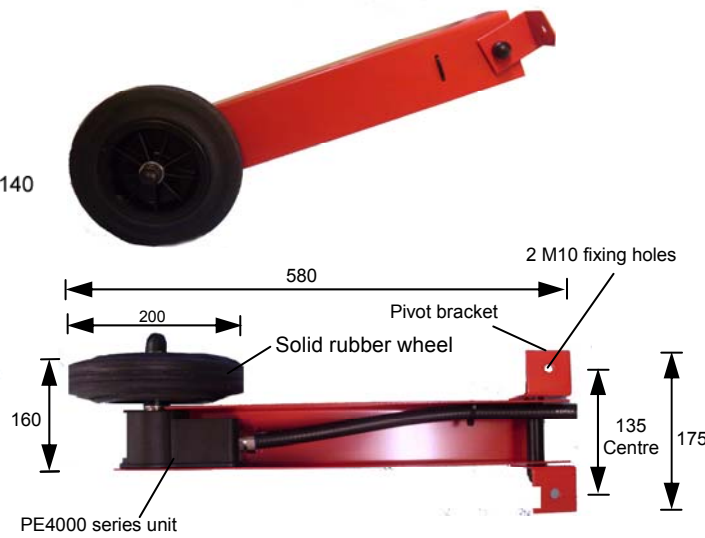
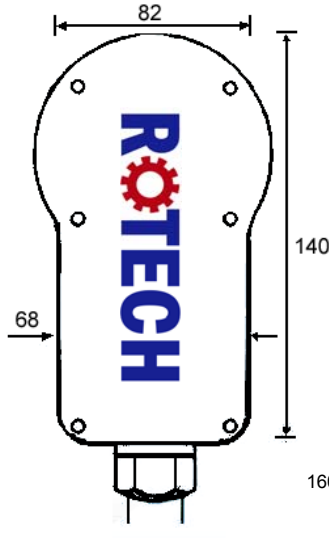
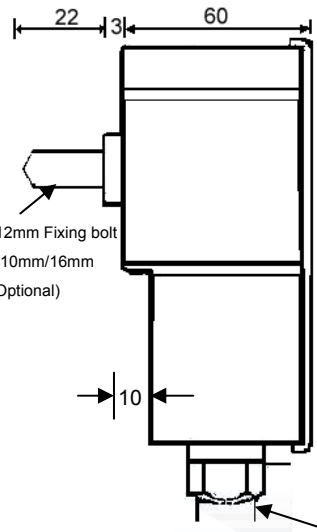
FEATURES:

- Low cost
- Totally self contained (no guards required)
- Maintenance free for maximum reliability
- 1 to 1,000 pulses per revolution available
- Environment ingress-IP66
- -25 to +100 deg Celsius versions available



Dimensions and Installation Information

Shown in millimetres



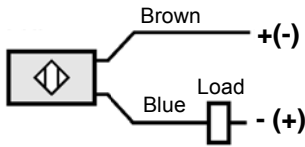
Flexible liquid tight conduit
16mm DIA C/W – 20mm threaded
Gland termination

Electrical Outputs

Available Pulse Rates (PPR)

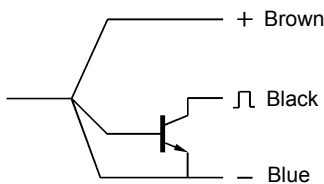
1,2,4,5,6,8,10,12,16,20,30,32,40,50,60,100,120,180,240,250,300,360,500,1000 (Dependent Upon Output Type)

Type Z (2 Wire Non Polarized)
10-30Vdc



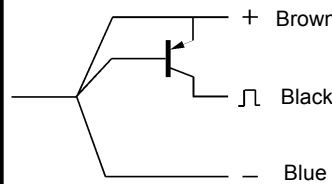
Max frequency = 1500Hz

Type E (N.P.N) 10-30Vdc
Current sink



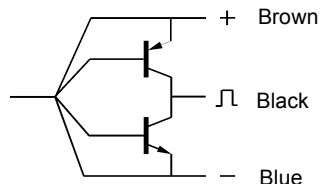
Max frequency = 600Hz

Type E2 (P.N.P) 10-30Vdc
Current source



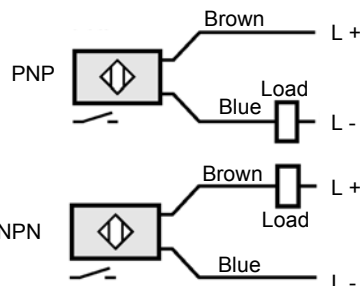
Max frequency = 600Hz

Type E3 (N.P.N + P.N.P – 3 wire)
10-30Vdc
Bi-polar – Current sink/source



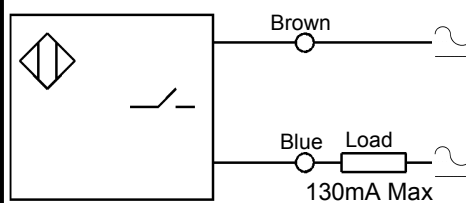
Max frequency = 1000Hz

Type E4 (N.P.N + P.N.P. – 2 Wire) 10-30Vdc
Bi-polar – Current sink/source



Max frequency = 1300Hz

Type W 20-240V AC/DC 50/60Hz
(1 to 30 PPR only)



Note
Minimum operating current = 5mA

Max frequency = 25Hz (AC) 1000Hz (DC)

Type N (Namur) 8-2 Vdc (1KΩ)
Intrinsically safe circuits

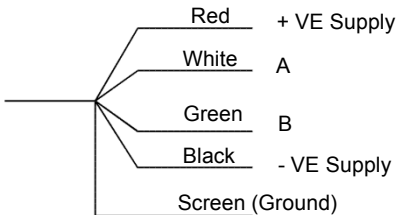
The voltage and current characteristics of NAMUR sensor outputs are so low that they can be safely used in explosive environments. The power limitation is implemented in the corresponding equipment. This means that the circuit containing a NAMUR proximity sensor is only intrinsically safe if it is supplied via a corresponding isolating amplifier. Contact Rotech Systems for details of amplifiers available.



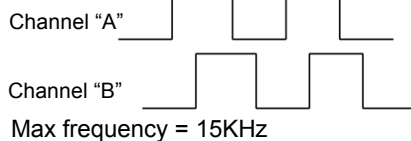
7.5 – 30 Vdc when used outside hazardous areas

Max frequency = 2000Hz

Type E3 Q (Quadrature) 10-30Vdc



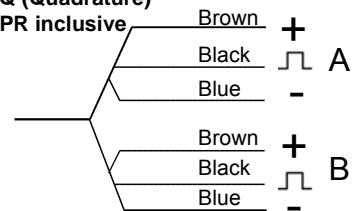
CH "A" Leads CH "B" for clockwise rotation viewed from shaft end of encoder



Max frequency = 15KHz

Type E2 Q (Quadrature)

1 to 40 PPR inclusive



Max frequency = 600Hz