



ROTECH FOR RELIABILITY!

*Why Accept Anything Less?*

## PSS4000 Series Speed Switches

The PSS4000 series of Rotech shaft mounted Speedswitches are manufactured in an extremely tough and durable 30% glass fibre reinforced polypropylene housing suitable for the most demanding of environments.

The same unit as our PPE4000 Series Shaft Encoder together with the added benefit of a built in speed trip adjustment over the chosen speed range.

Speed control trip set point in RPM adjustable over chosen speed range via internal control fitted under unit cover.

A wide range of number of pulses per revolution are available together with switched transistor and relay outputs. AC and DC supply voltages available.

Installation is simple & easy, with just one threaded hole required in the end of the shaft being monitored or fitted using the unique 'Mag-con' magnetic connector.



### FOR MONITORING:

- Speed
- Shaft stopped
- Distance
- Underspeed
- Direction
- Overspeed
- Belt slip
- Safety guards interlocking

### FEATURES:

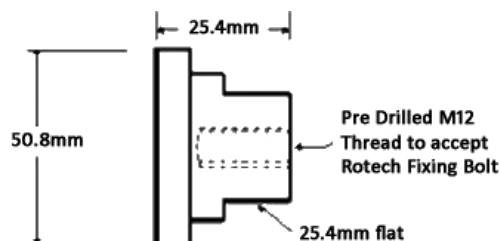
- Low cost
- Totally self contained (no guards required)
- Maintenance free for maximum reliability
- 1 to 40 pulses per revolution
- Environment ingress-IP66
- -25 to +100 deg Celsius versions available

### MAG-CON MAGNETIC CONNECTOR

For quick and easy installation of Rotech shaft mounted sensors & encoders

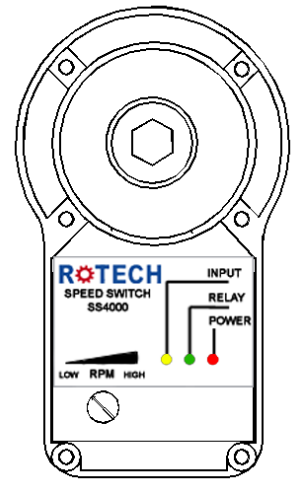
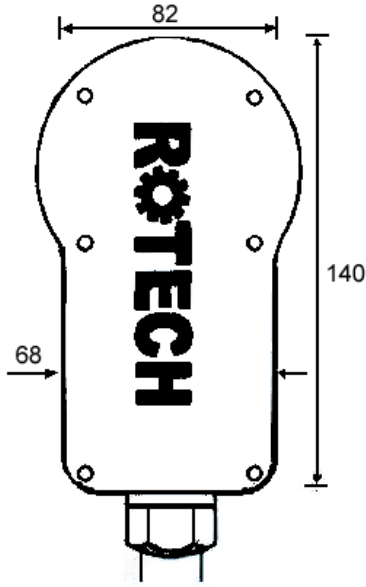
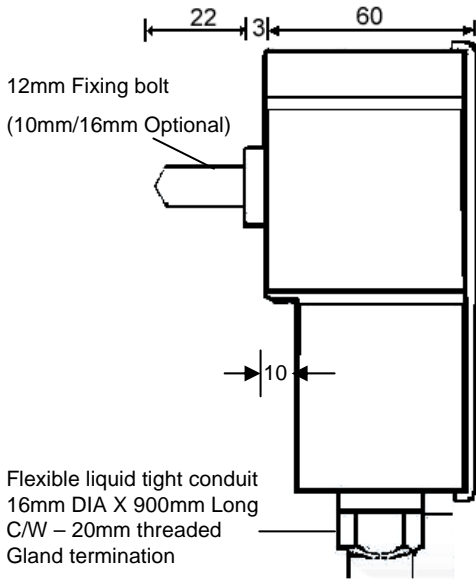
#### IMPORTANT NOTE:

- MAXIMUM OPERATING SPEED IS 300RPM
- RECOMMENDED MINIMUM  
SHAFT DIAMETER FOR FITTING=35MM



# Dimensions and Installation Information

Shown in millimetres



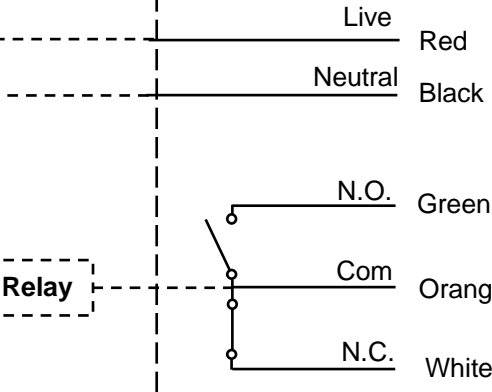
**Available Pulse Rates (PPR)**  
1,2,4,5,6,8,10,12,16,20,30,32,40.

Typical Part No. Example: **PSS** - **20** - **COR**  
4000 Series Speedswitch    PPR    Output Type

Speed range calibration  
0 to 250 RPM

**TYPE COR**  
Relay  
Changeover Contact

**INTERNAL** | **EXTERNAL**



Supply Voltage  
220/240 VAC 50 Hz

Output relay  
S.P.C.O (Volt Free changeover)

Contacts Rated:  
230V AC 10Amp  
30 V DC 2 Amp

## **IMPORTANT**

**Health and safety**

**Rotech PSS4000 series speed switches**

**These units must only be installed and commissioned by qualified and experienced personnel.**

**Units must only be installed in positions where the speed adjustment can be carried out without exposing personnel to any danger.**

**If units are installed inside machine guards or in a position that could expose personnel to any danger, they should be set up and adjusted on a separate variable speed drive in a safe area, workshop, etc.**

**ROTECH SYSTEMS & ENCODERS**

Tel : +27 (0)13 693 8938/39 Website: [www.rotechsystems.co.uk](http://www.rotechsystems.co.uk)

Fax: +27 (0)13 693 8940 Email: [rotechsystems@mweb.co.za](mailto:rotechsystems@mweb.co.za)

Fax2Mail: +27 (0)86 616 7839



Monitoring the world  
since 1983