



ROTECH FOR RELIABILITY!

Why Accept Anything Less?

PSS4000 Series Speed Switches

The PSS4000 series of Rotech shaft mounted Speedswitches are manufactured in an extremely tough and durable 30% glass fibre reinforced polypropylene housing suitable for the most demanding of environments.

The same unit as our PPE4000 Series Shaft Encoder together with the added benefit of a built in speed trip adjustment over the chosen speed range.

Speed control trip set point in RPM adjustable over chosen speed range via internal control fitted under unit cover.

A wide range of number of pulses per revolution are available together with switched transistor and relay outputs. AC and DC supply voltages available.

Installation is simple & easy, with just one threaded hole required in the end of the shaft being monitored or fitted using the unique 'Mag-con' magnetic connector.



FOR MONITORING:

- Speed
- Shaft stopped
- Distance
- Underspeed
- Direction
- Overspeed
- Belt slip
- Safety guards interlocking

FEATURES:

- Low cost
- Totally self contained (no guards required)
- Maintenance free for maximum reliability
- 1 to 40 pulses per revolution
- Environment ingress-IP66
- -25 to +100 deg Celsius versions available

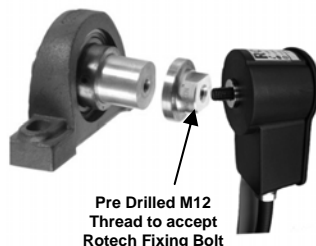
MAG-CON

MAGNETIC SHAFT CONNECTOR

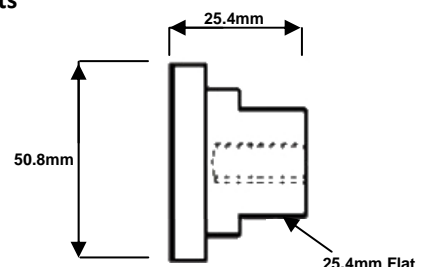
For Quick and Easy Installation of Rotech Shaft Mounted Sensors & Encoders.
Simply attaches to existing shafts

IMPORTANT NOTE:

- MAXIMUM OPERATING SPEED IS 300RPM
- RECOMMENDED MINIMUM
SHAFT DIAMETER FOR FITTING=35MM

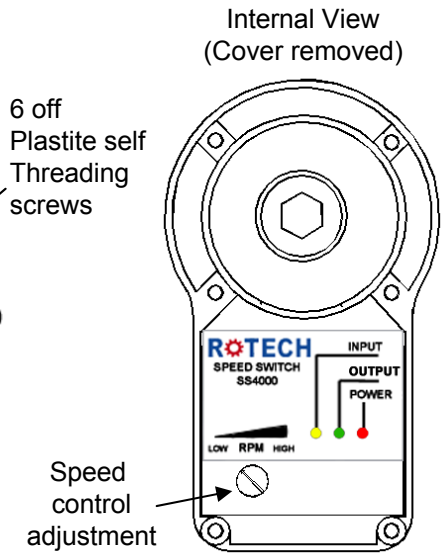
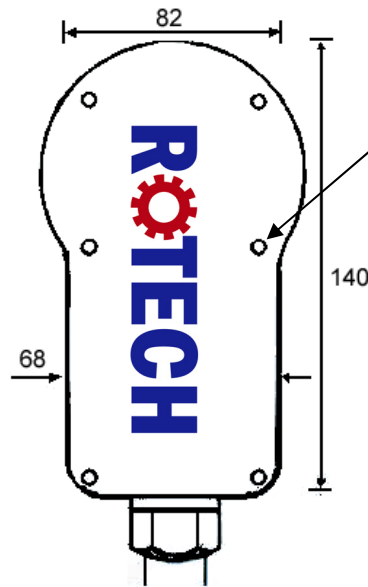
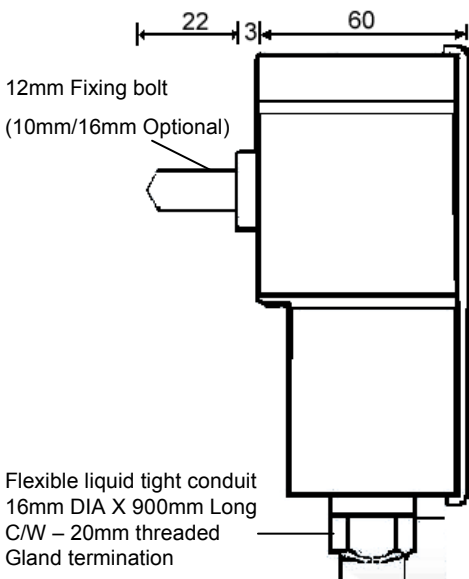


Pre Drilled M12
Thread to accept
Rotech Fixing Bolt



Dimensions and Installation Information

Shown in millimetres



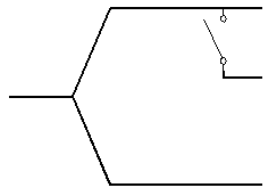
Electrical Outputs

Available Pulse Rates (PPR)
1,2,4,5,6,8,10,12,16,20,30,32,40.

Typical Part No. Example: **PSS - 20 - VCT**
4000 Series Speedswitch | PPR | Output Type

TYPE OSR

Relay Switched



+ Brown
Output Black
- Blue

6 VDC
or
12 VDC
or
24 VDC
Output relay
Single Pole
Rated 30V 10 Amp

IMPORTANT

Health and safety
Rotech SS4000 series speed switches

These units must only be installed and commissioned by qualified and experienced personnel.

Units must only be installed in positions where the speed adjustment can be carried out without exposing personnel to any danger.

If units are installed inside machine guards or in a position that could expose personnel to any danger, they should be set up and adjusted on a separate variable speed drive in a safe area, workshop, etc.



Tel : +27 (0)13 693 8938/9 Website: www.rotechsystems.com
 Fax: +27 (0)13 693 8940 Email: rotechsystems@mweb.co.za
 Fax2Mail: +27 (0)86 616 7839

