

For Rotation Monitoring

The SRP4000 series speed relay modules are intended for use with all Rotech motion sensors, shaft encoders, wheel sensors, vibration sensors and proximity probes to detect if the speed of a rotating shaft rises or falls below a preset level.



FEATURES:

Dual Ac Supply Standard (Optional - 12/24 Volt Dc)

Easy Setting Of Required Trip/Alarm Speed Directly In Rpm

Extensive range of optional features including automatic start delay (refer to additional information on automatic start delay operation)

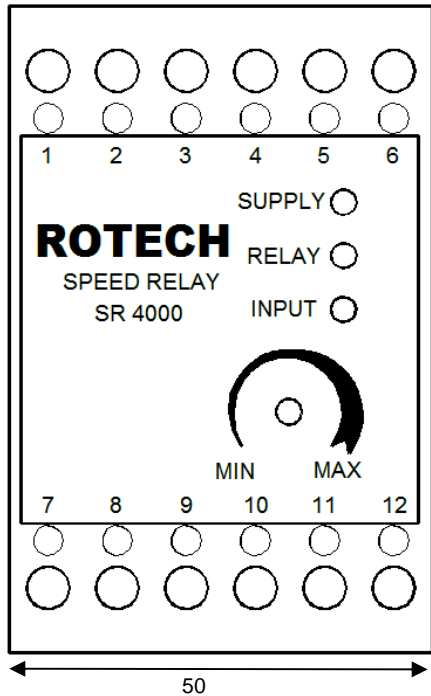
Multiple Ranges, Fixed Start Delay, Etc.

Three speed ranges are available on each module. Standard ranges are 1-10 rpm, 1-100rpm and 1-1000 rpm. The required range being selected by link on the terminal rail. Other modules are available with ranges covering the speeds 0.01 rpm to 20,000 rpm.

In normal operation the output relay of the module is energised if the speed of the shaft is above the set level and de-energised if speed is below the set level.

Front mounted LED's indicate power on, relay energised, input signal status.

Dimensions and Installation Information

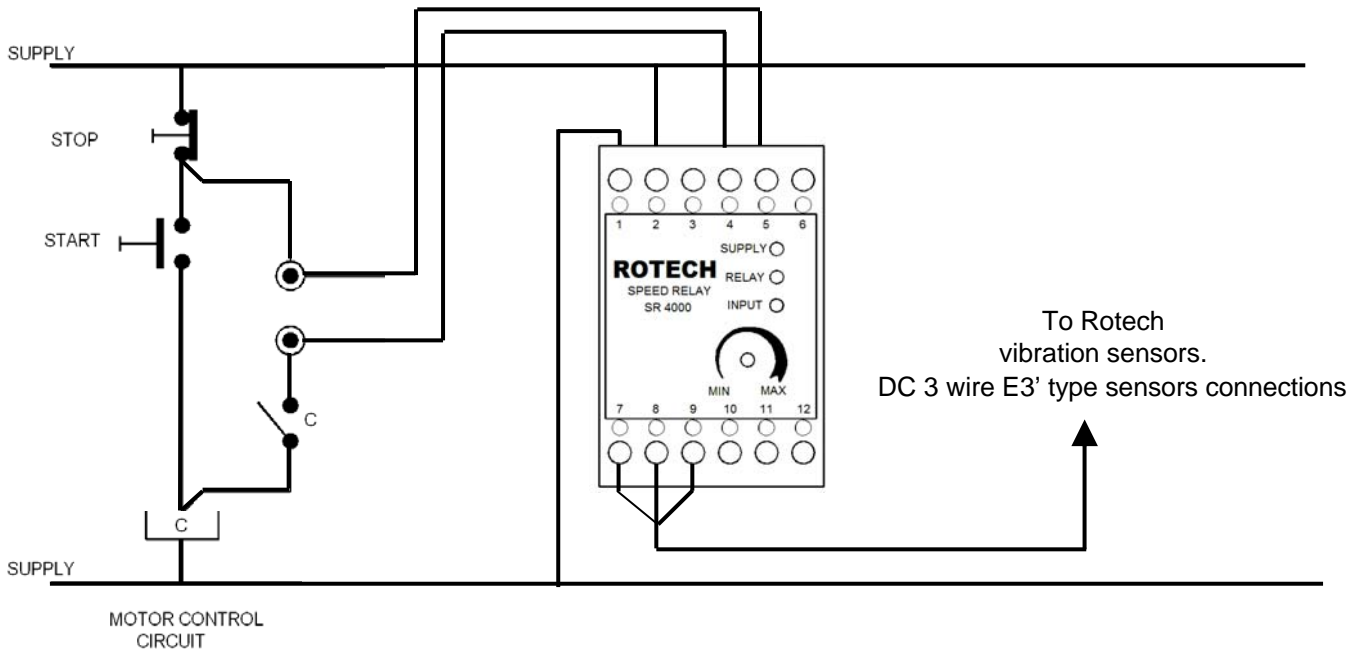


TYPE SRP4001/8C9

1	Neutral	AC mains power supply	
2	110/120V 50/60Hz		
3	220/240V 50/60Hz		
4	N.O.	Output relay rated	
5	Common	5A @ 250VAC / 30VDC	
6	N.C.		
7	0VDC	Blue	
8	Input	Black	
9	+12 VDC	Brown	
10	Range	No links = 0 to	1000VPM
11	Links	Link 10 to 11 = 0 to	1500VPM
12		Link 10 to 12 = 0 to	2000VPM

CONNECTIONS- DC 3WIRE SENSOR

Typical installation shown for 110/120 V AC supply



Mounting: DIN 35x7.5mm Rail
Environment Ingress: IP50
Temperature: -10°C to +70°C



Tel : +27 (0)13 693 8938/9 **Website:** www.rotechsystems.com
Fax: +27 (0)13 693 8940 **Email:** rotechsystems@mweb.co.za
Fax2Mail: +27 (0)86 616 7839

