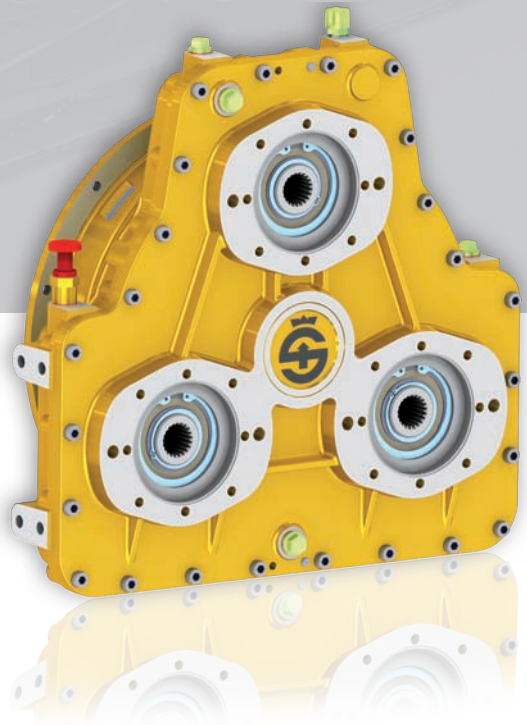
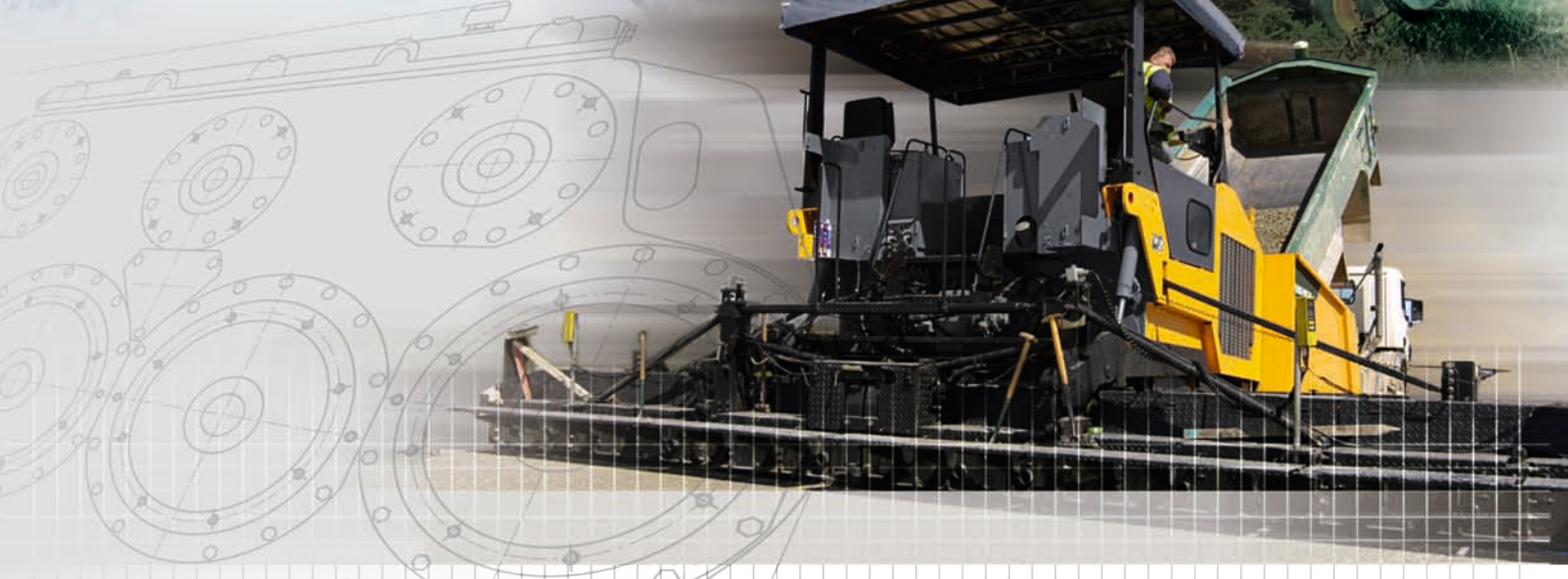
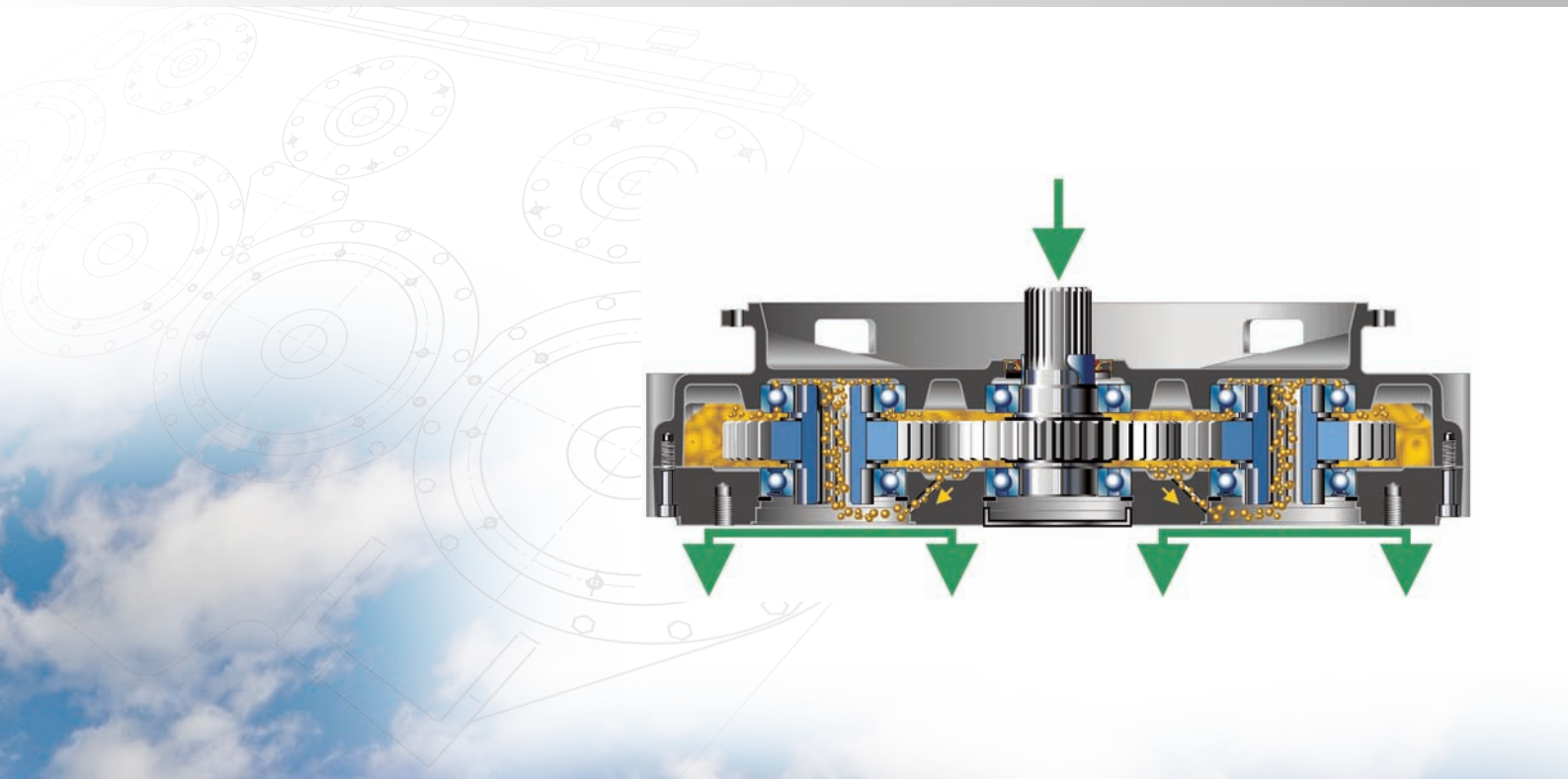




P3000

Pump Drives | Size M







P3000 – Pump Drives Size M

4371 – 2 pads



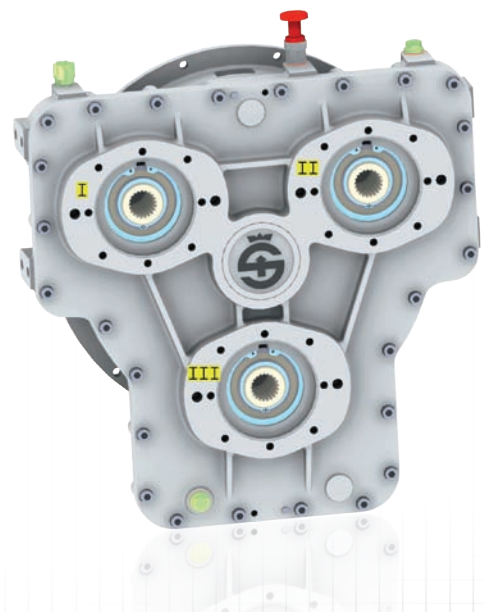
4375 – 2 pads



4373 – 3 pads



4374 – 3 pads



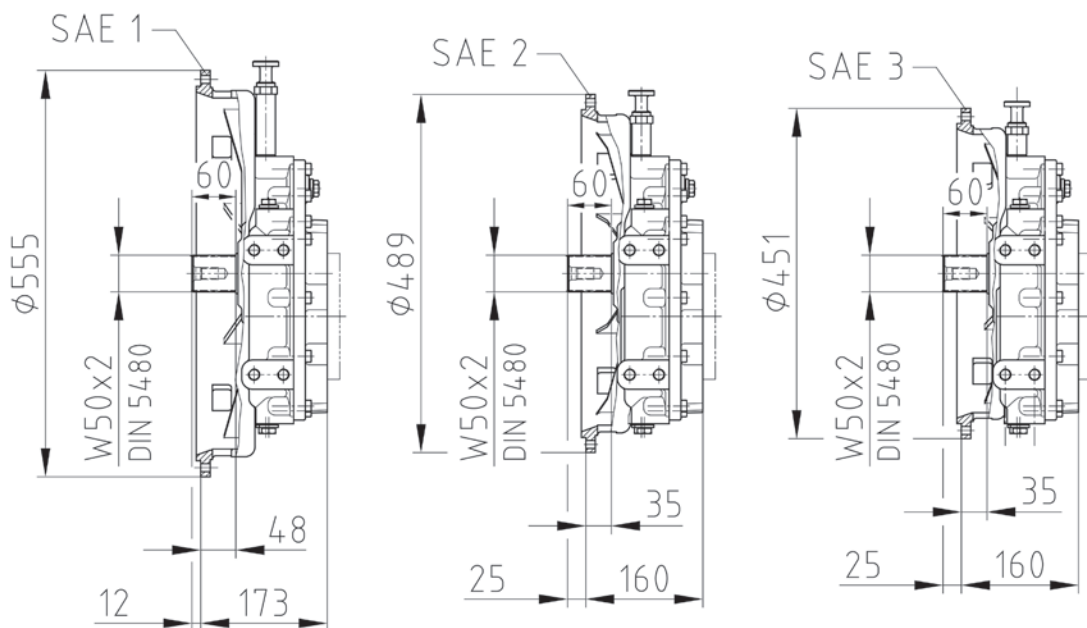
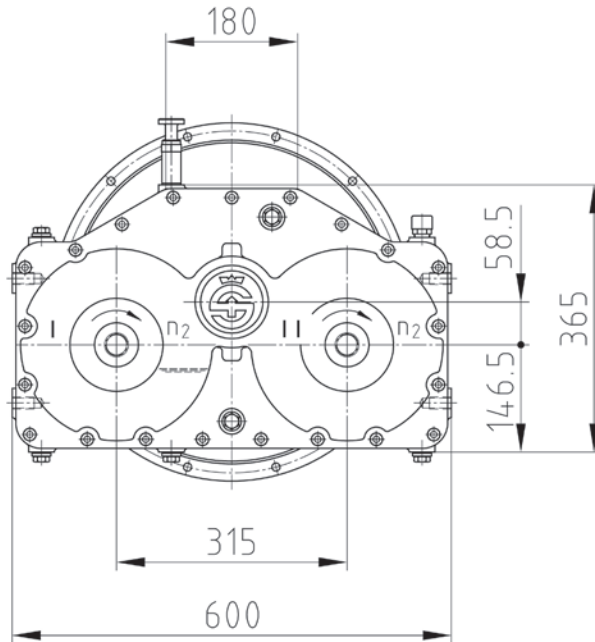
4371 – 2 pads



Ratings

Power P	400 kW
Torque T	1500 Nm
Power per pump P	210 kW
Torque per pump T	800 Nm
Max. speed n	3500 min ⁻¹
Weight approx.	83 kg
Housing material	Grey cast iron
Output variants	Pump pad SAE A, SAE B, SAE C, SAE D

4371 – 2 pads



Ratio	0,655	0,846	0,959
J* [kgm ²]	0,0741	0,0618	0,0566

*Moment of inertia, referring to the input shaft

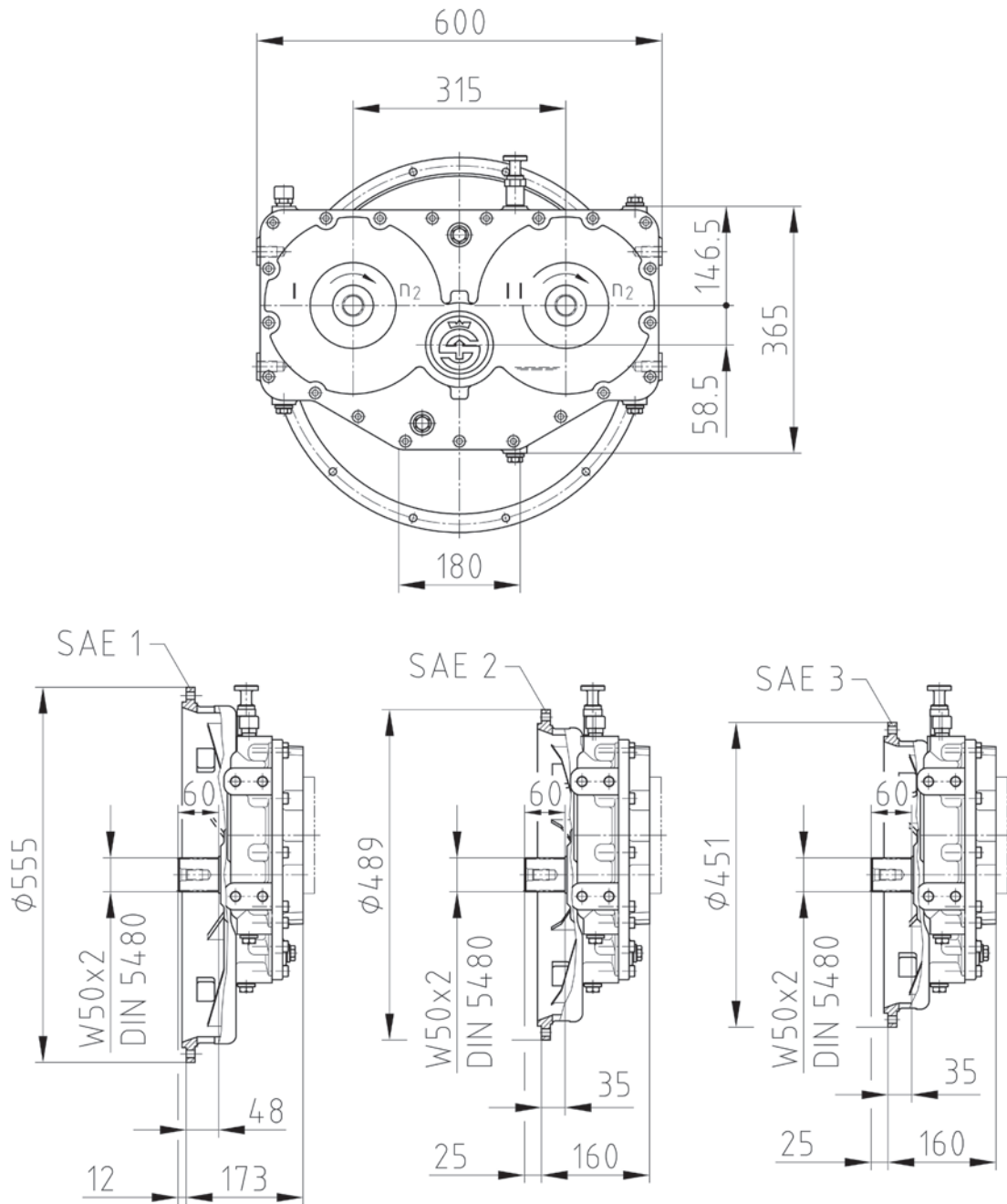
4375 – 2 pads



Ratings

Power P	400 kW
Torque T	1500 Nm
Power per pump P	210 kW
Torque per pump T	800 Nm
Max. speed n	3500 min ⁻¹
Weight approx.	83 kg
Housing material	Grey cast iron
Output variants	Pump pad SAE A, SAE B, SAE C, SAE D

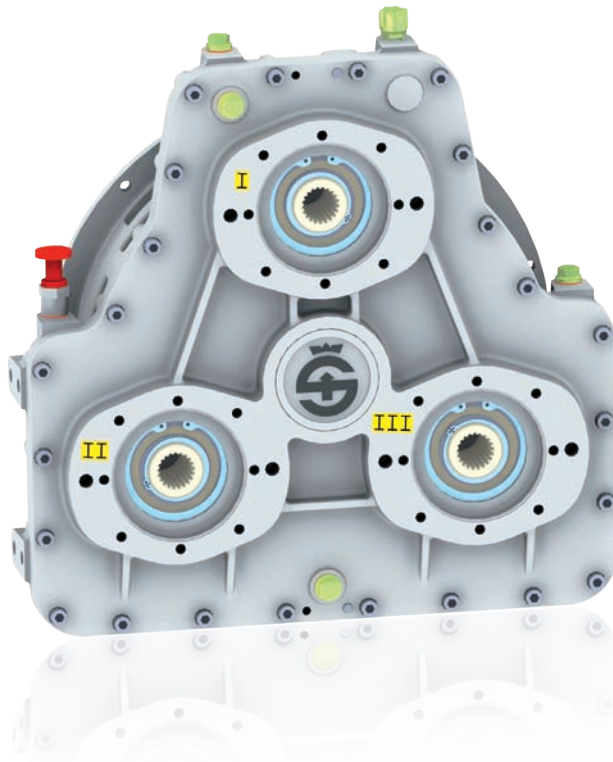
4375 – 2 pads



Ratio	0,655	0,846	0,959
J* [kgm ²]	0,0741	0,0618	0,0566

*Moment of inertia, referring to the input shaft

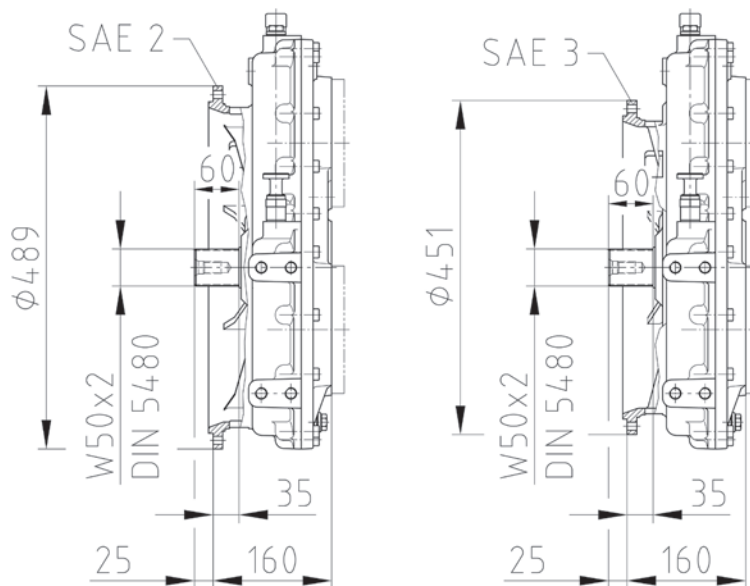
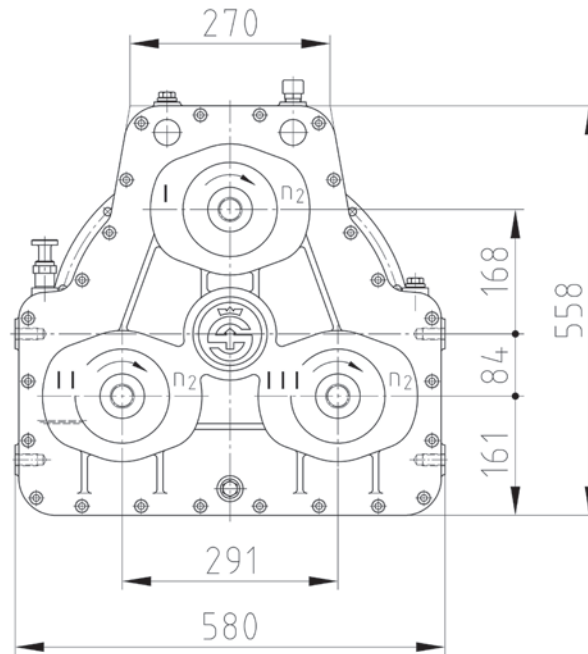
4373 – 3 pads



Ratings

Power P	400 kW
Torque T	1500 Nm
Power per pump P	210 kW
Torque per pump T	800 Nm
Max. speed n	3500 min ⁻¹
Weight approx.	98 kg
Housing material	Grey cast iron
Output variants	Pump pad SAE A, SAE B, SAE C

4373 – 3 pads



Ratio	0,655	0,846	0,959
J* [kgm ²]	0,0921	0,0801	0,0748

*Moment of inertia, referring to the input shaft

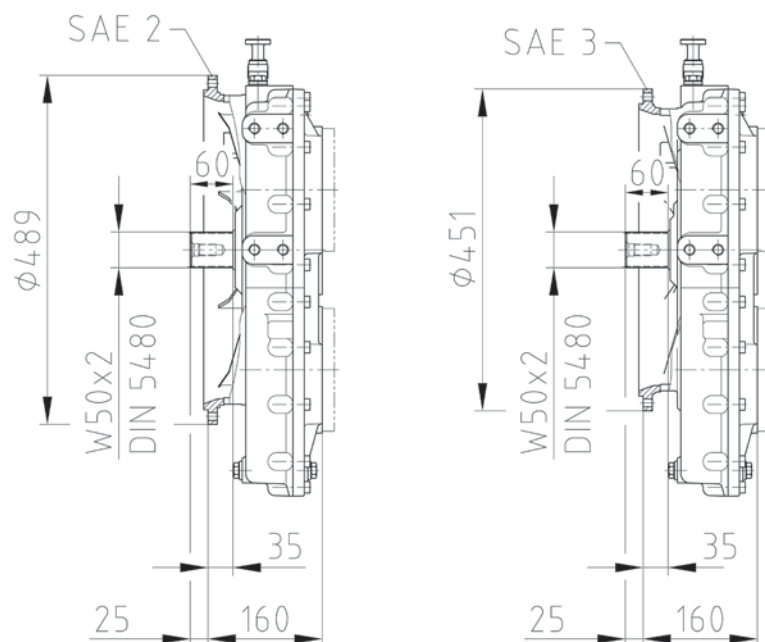
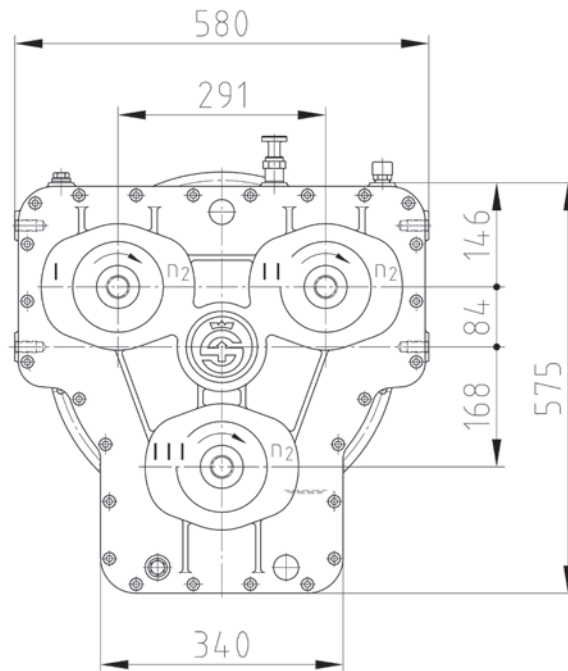
4374 – 3 pads



Ratings

Power P	400 kW
Torque T	1500 Nm
Power per pump P	210 kW
Torque per pump T	800 Nm
Max. speed n	3500 min ⁻¹
Weight approx.	107 kg
Housing material	Grey cast iron
Output variants	Pump pad SAE A, SAE B, SAE C

4374 – 3 pads

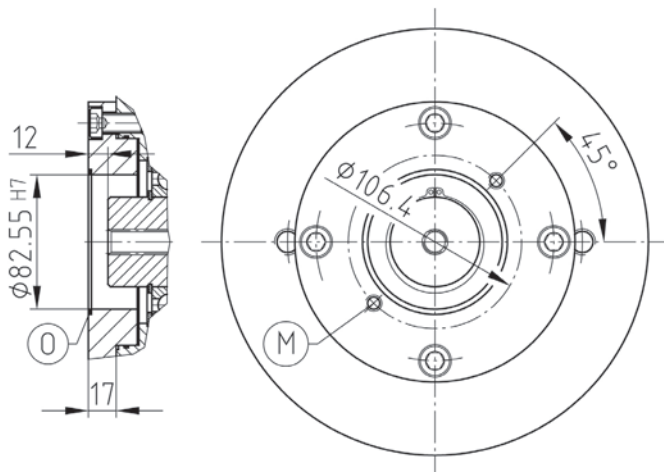


Ratio	0,655	0,846	0,959
J* [kgm ²]	0,0921	0,0801	0,0748

*Moment of inertia, referring to the input shaft

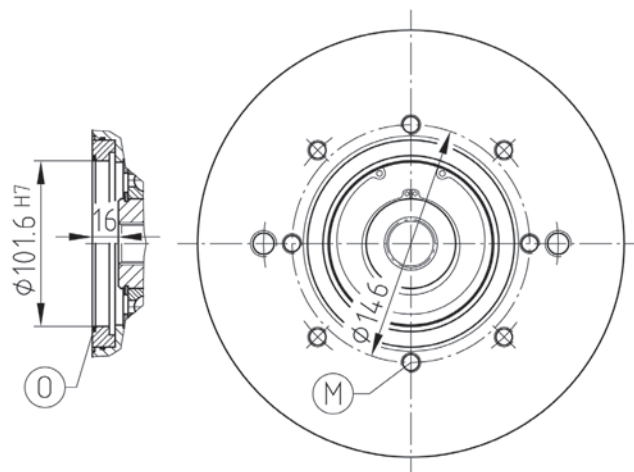
2 pads – output dimension

SAE A



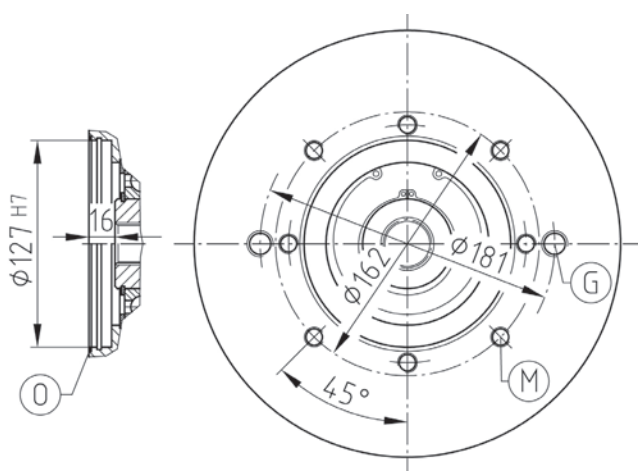
⓪ O-ring 80x2,5 Ⓜ M10-18 deep (2x)

SAE B



⓪ O-ring 100x2,5 Ⓜ M12-18 deep (4x)

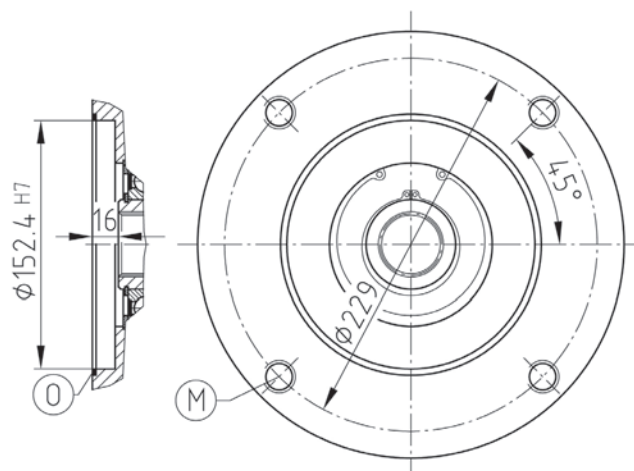
SAE C



⓪ O-ring 125x2 Ⓜ M12-18 deep (4x)

ⓖ M16-24 deep (2x)

SAE D

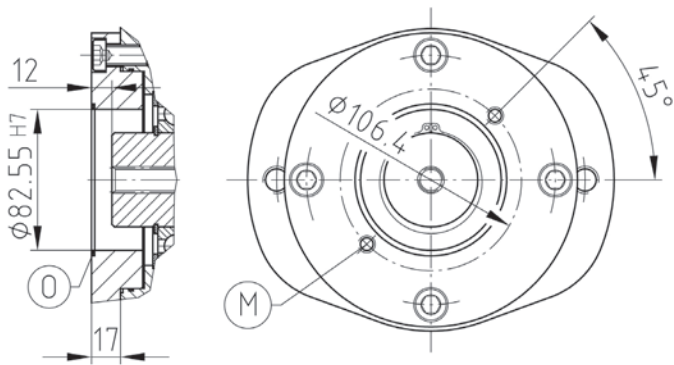


⓪ O-ring 150x3

Ⓜ M20-28 deep (4x)

3 pads – output dimension

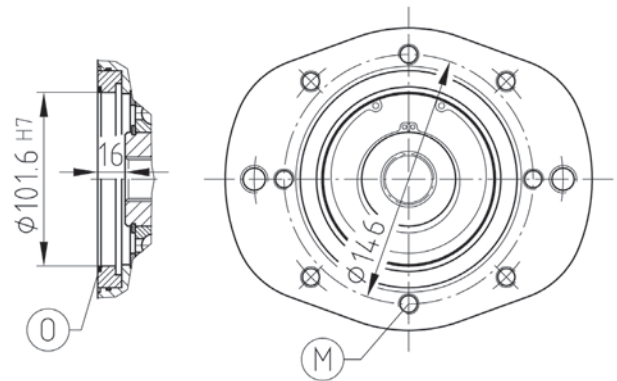
SAE A



⓪ O-ring 80x2,5

Ⓜ M10-18 deep (2x)

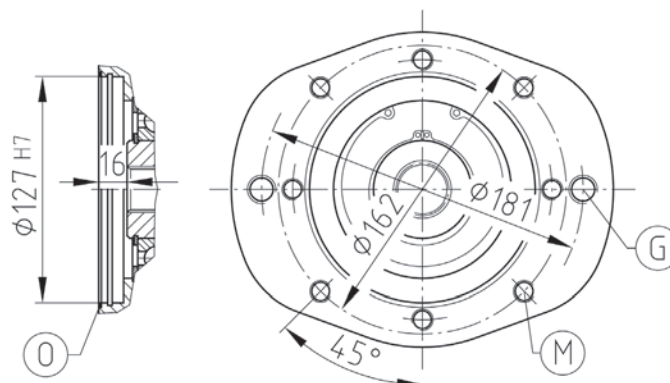
SAE B



⓪ O-ring 100x2,5

Ⓜ M12-18 deep (4x)

SAE C

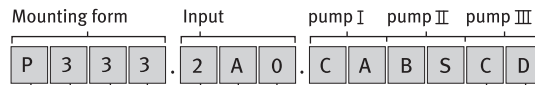


⓪ O-ring 125x2

Ⓜ M12-18 deep (4x)

Ⓜ M16-24 deep (2x)

Type Code



Configuration Code

without shaft adapter	P
-----------------------	---

Size

437X	3
------	---

Type

4371		1
4373		3
4374		4
4375		5

Number of Pump Pads

2 - pads	2
3 - pads	3

SAE-Bellhousing

SAE - 1	1
SAE - 2	2
SAE - 3	3

Spline Input Shaft

W50 x 2	A
---------	---

Pump Adaption

A	16/32DP - 9T
C	16/32DP - 13T
D	16/32DP - 15T
F	16/32DP - 21T
G	16/32DP - 23T
H	16/32DP - 27T
J	12/24DP - 14T
K	12/24DP - 17T
L	8/16DP - 13T
R	N30 x 2
S	N35 x 2
T	N40 x 2

SAE
DIN

Bolt Pattern

A	SAE - A
B	SAE - B
C	SAE - C
D	SAE - D

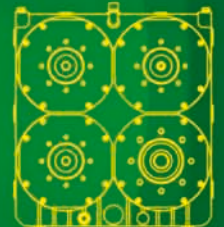
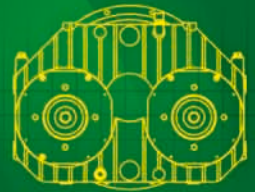
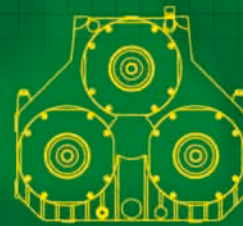
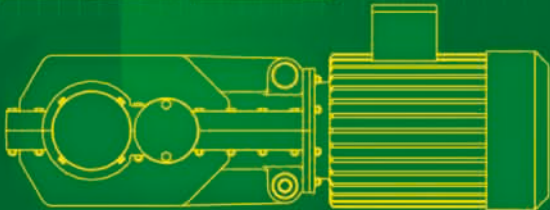
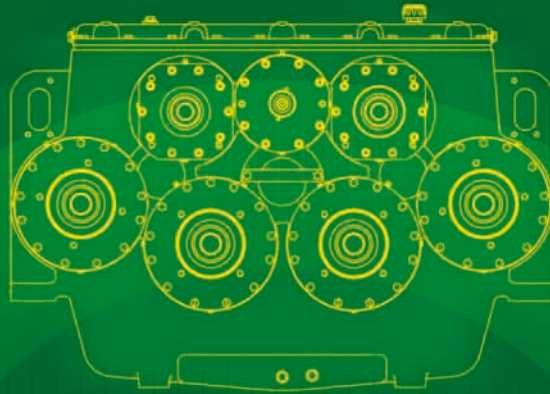
Gear ratio data

0	1	2	3	4	5	6	7	8	9	Size
0,655			0,846		0,959					437X



Special Gear Units

Custom-made Drive Solutions

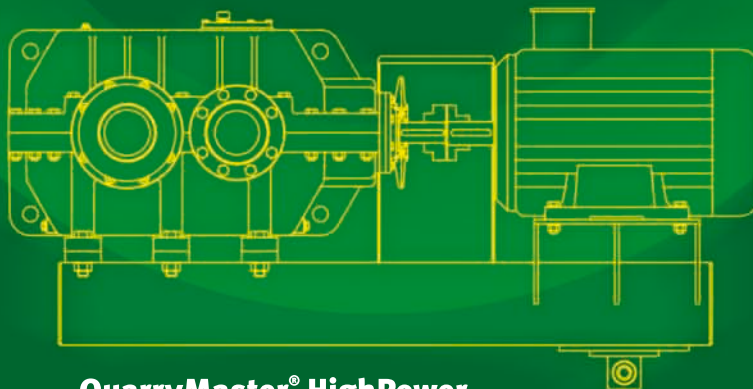


P 3000

Pump Drives

QuarryMaster®

Helical-bevel Geared Motors



QuarryMaster® HighPower

Drive Groups



Stiebel Getriebebau GmbH & Co. KG

Industriestraße 12

D-51545 Waldbröl

Phone +49 2291 791-0

Fax +49 2291 791-290

Internet: www.stiebel.de

E-Mail: p3000@stiebel.de