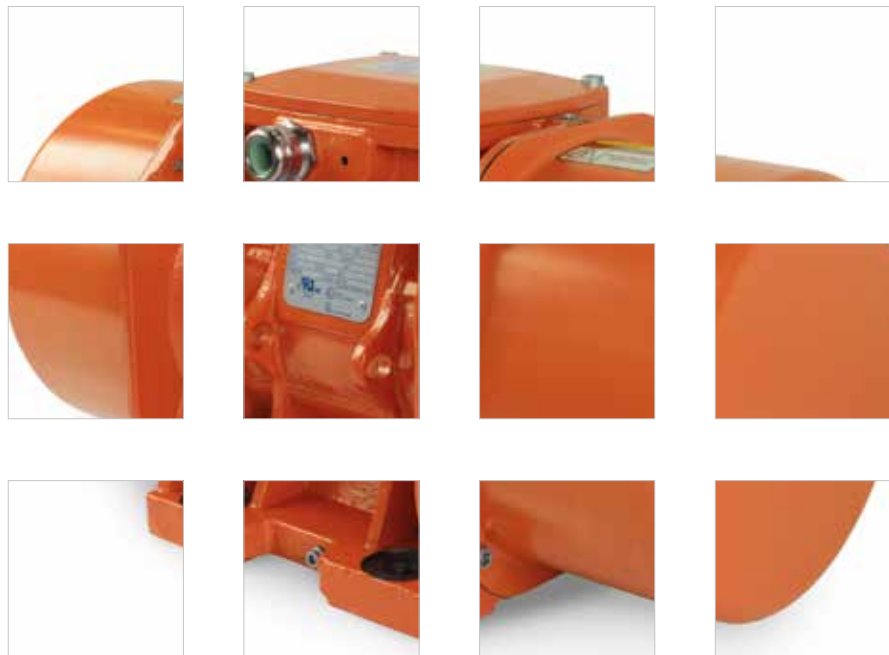
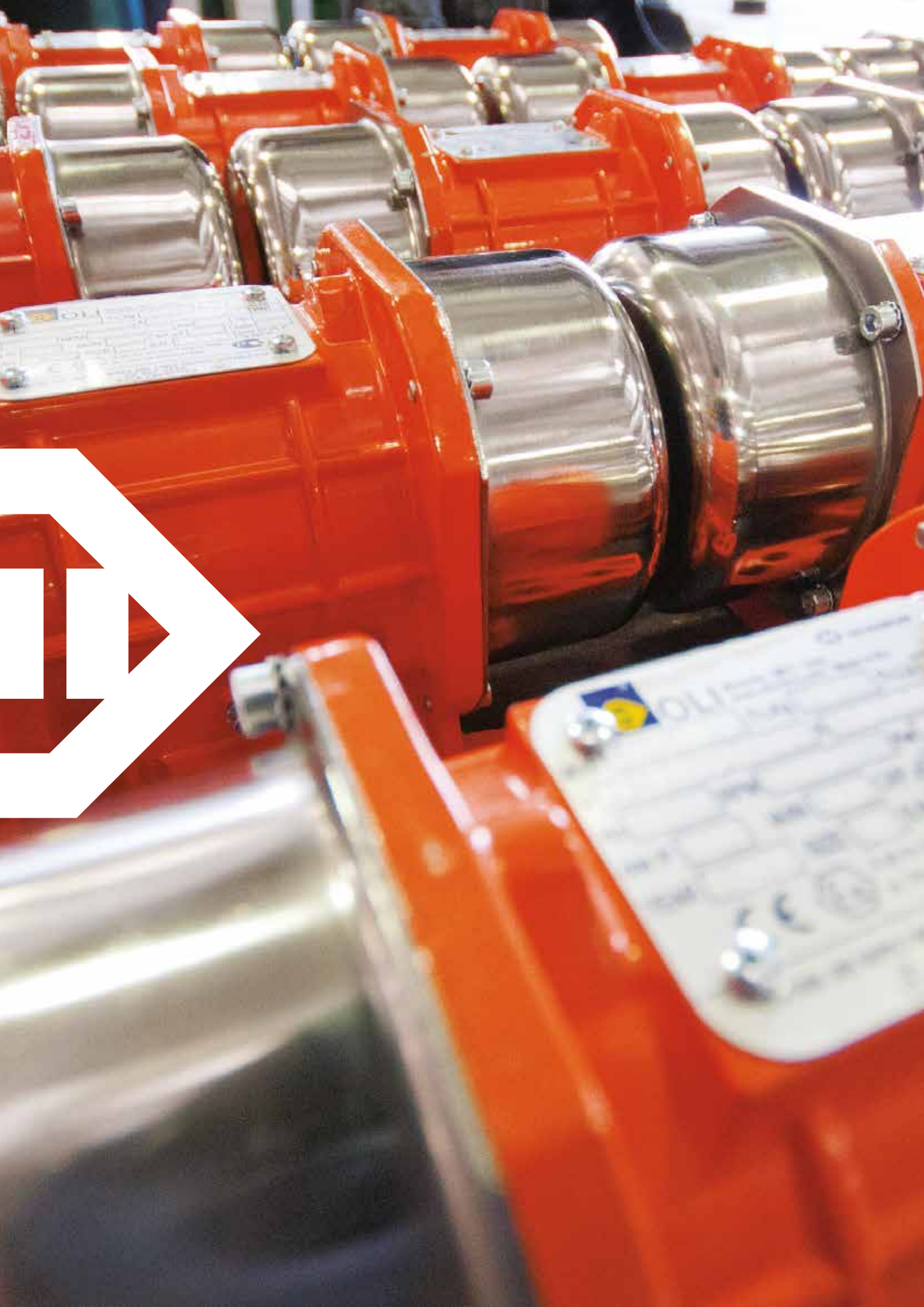


# INDUSTRIAL VIBRATORS



THE WORLDWIDE LEADER IN VIBRATION TECHNOLOGY







## Intro

|                              |    |
|------------------------------|----|
| Company profile              | 4  |
| Technical features           | 6  |
| Standard specifications      | 7  |
| The OLI vibrator range       | 8  |
| Certifications               | 9  |
| How to choose a motovibrator | 10 |

## MVE Standard range

|                       |    |
|-----------------------|----|
| 2 poles               | 12 |
| 4 poles               | 14 |
| 6 poles               | 16 |
| 8 poles               | 18 |
| 2 poles single phase  | 20 |
| MICRO                 | 22 |
| MVE DC Direct Current | 24 |

## MVE Increased safety

|         |    |
|---------|----|
| 2 poles | 26 |
| 4 poles | 28 |
| 6 poles | 30 |
| 8 poles | 32 |

## MVE Explosion-proof

|               |    |
|---------------|----|
| 2 and 4 poles | 34 |
| 6 and 8 poles | 36 |

## MVE Hi-stroke milling

|                |    |
|----------------|----|
| 8 and 10 poles | 38 |
|----------------|----|

## Installation

|                                   |    |
|-----------------------------------|----|
| Mounting                          | 40 |
| How to change vibration intensity | 42 |

## Technical drawings

|          |            |
|----------|------------|
| Drawings | extra page |
|----------|------------|



# Worldwide leader in vibration technology

OLI is the world's top selling manufacturer of Electric and Pneumatic Vibrators. A high level of customer service is guaranteed through 18 OLI Trading Subsidiaries, 36+ local warehouses and 3 manufacturing plants worldwide.

## OUR 3 DIVISIONS

PROVIDE CUSTOMERS WITH OPTIMAL SOLUTIONS FOR ALL REQUIREMENTS

| INDUSTRIAL VIBRATORS                                                                                                                       | FLOW AIDS                                                                                                                                                                              | CONCRETE CONSOLIDATION                                                                                                                                                                 |
|--------------------------------------------------------------------------------------------------------------------------------------------|----------------------------------------------------------------------------------------------------------------------------------------------------------------------------------------|----------------------------------------------------------------------------------------------------------------------------------------------------------------------------------------|
|  <p>Electric motovibrators for vibrating equipments</p> |  <p>Comprehensive range of electric and pneumatic vibrators to solve any problem of flowability</p> |  <p>Internal concrete vibrators and converters for reliable and efficient concrete compaction</p> |



Originally specialising in immersion vibrators for concrete consolidation, OLI is now the worldwide leader in vibration technology, with a **complete range of electric and pneumatic internal and external vibrators.**

By supplying **competitive, high quality products for wide-ranging applications,** OLI combines **performance** and **reliability** by adapting to the ever-changing market. A strong believer in innovation, OLI is constantly striving to be ahead of the opposition.

As a global player in industrial vibration technology, the key focus of OLI's business strategy is **rapid stock delivery, any time, anywhere in the world.**

Excellent customer service is of pivotal importance: the company guarantees **quick order processing** and customers worldwide can enjoy access to the same high quality product and services.

OLI has access to credible expertise when it comes to finding suitable solutions to customers' requests. A team of engineers specialised in designing efficient, reliable and safe solutions backed by a **globally certified management.**

OLI provide their customers with state-of-the-art equipment and the blueprint for the next generation of products is already in progress.



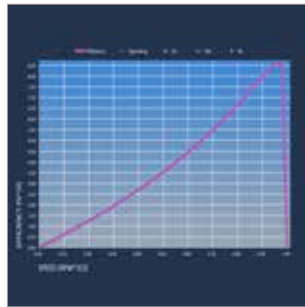
# TECHNICAL FEATURES

## QUALITY



- World class materials
- Class F insulation
- Durable sealing
- Premium bearings
- Strong body design - FEM designed
- Vacuum insulation
- FMEA analysis
- 3D quality check

## EFFICIENCY



- Optimised power/weight ratio
- S1 continuous duty service
- Optimized electric design

## RELIABILITY



- PTC thermistor 130 °C
- Specific grease retaining device
- Tropicalised standard
- IP66 protection
- Class F insulation

## FLEXIBILITY



- Easy mass adjustment
- Various voltages and frequencies available
- Easy access to the terminal box
- Multiple eye-bolts

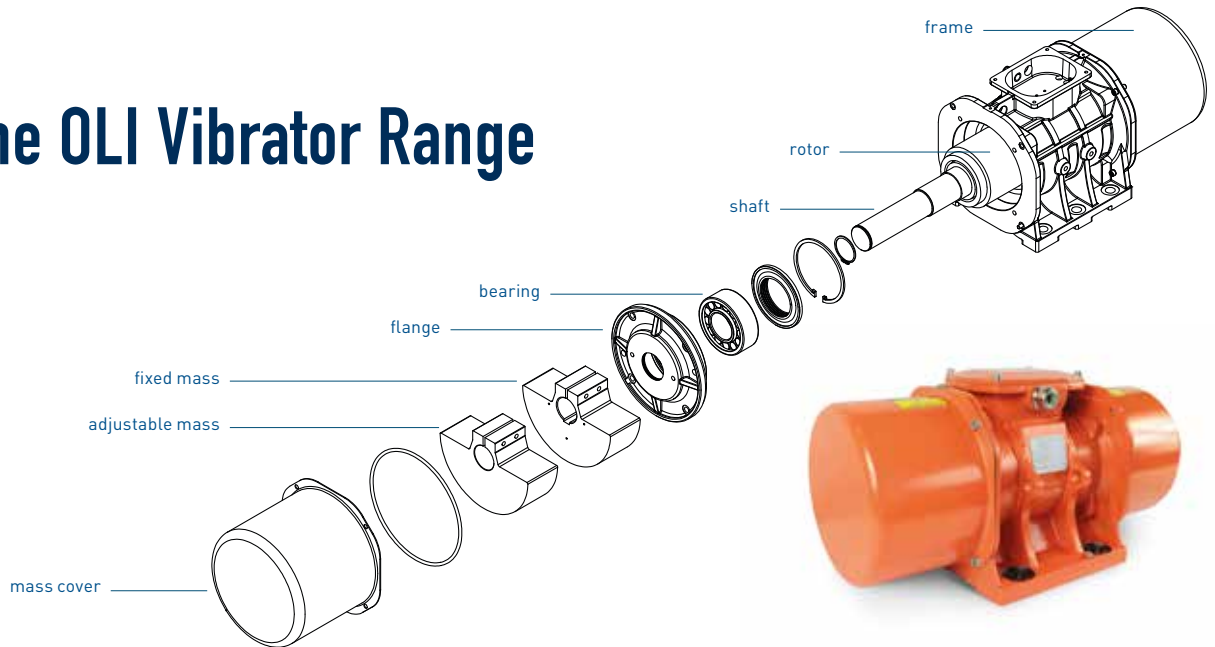


## Standard specifications

|                                               | RANGE                                                                                                                                                                   |                                                                                    |                                                                                                                              |                                               |
|-----------------------------------------------|-------------------------------------------------------------------------------------------------------------------------------------------------------------------------|------------------------------------------------------------------------------------|------------------------------------------------------------------------------------------------------------------------------|-----------------------------------------------|
| Specification                                 | Standard                                                                                                                                                                | Increased Safety                                                                   | Explosion-Proof                                                                                                              | Hi-stroke Milling                             |
| <b>Power supply</b>                           | Three-phase from 12V to 690V, 50Hz or 60Hz;<br>Single phase 110V 60Hz and 220V 50Hz.<br>Three-phase motors are designed for inverter application                        | Three-phase from 230V to 460V, 50Hz or 60Hz                                        | Three-phase from 230V to 690V, 50Hz or 60Hz.<br>All motors are designed for inverter application from 20Hz to base frequency |                                               |
| <b>Time rating</b>                            | Continuous duty (S1)                                                                                                                                                    |                                                                                    |                                                                                                                              |                                               |
| <b>Protection structure</b>                   | Mechanical protection IP66 according to IEC 60529                                                                                                                       |                                                                                    |                                                                                                                              |                                               |
| <b>Bearings</b>                               | Ball bearings from size MICRO to 50.<br>Roller bearings from size 60 to 110                                                                                             | Ball bearings from size 10 to 50.<br>Roller bearings from size 60 to 90            | Roller bearings                                                                                                              |                                               |
| <b>Coating colour</b>                         | Polyester powder coating, Standard colour RAL 2009.<br>Special corrosion resistant painting available on request on Standard range only                                 |                                                                                    |                                                                                                                              |                                               |
| <b>Footprint</b>                              | Compatibility with the main competitor's footprint on request                                                                                                           |                                                                                    |                                                                                                                              |                                               |
| <b>Installation and operating environment</b> | For indoor and outdoor use                                                                                                                                              |                                                                                    |                                                                                                                              |                                               |
|                                               | Ambient temperature: -20 °C to +40 °C.<br>Up to +55 °C available on request                                                                                             | Ambient temperature: -20 °C to +40 °C                                              | Ambient temperature: -20 °C to +40 °C.<br>Up to +55 °C available on request                                                  | Ambient temperature: -20 °C to +40 °C         |
| <b>Standards supported</b>                    | Conformity with European Directive<br>Low voltage 2014/35/UE<br>Machine directive 2006/42/EC<br>ATEX 2014/34/UE                                                         |                                                                                    |                                                                                                                              |                                               |
| <b>Mass covers</b>                            | Aluminium for motors from size 10 to size 50 and size 100, 105, 110.<br>Mild steel for size 60 to size 91.<br>Stainless steel AISI 304 for direct current motovibrators | Aluminium for motors from size 10 to size 50.<br>Mild Steel for size 60 to size 91 | AISI 304 Stainless Steel                                                                                                     | Steel                                         |
| <b>Windings</b>                               | 2, 4, 6 and 8 poles three-phase asynchronous motor from size 10 to 110;<br>2 poles single phase from size 10 to 30                                                      | 2, 4, 6 and 8 poles three-phase asynchronous motor                                 |                                                                                                                              | 8 and 10 poles three-phase asynchronous motor |
|                                               | Class F insulating materials (155 °C).<br>Vacuum impregnated windings; PTC thermistor 130 °C standard from size 60                                                      |                                                                                    |                                                                                                                              |                                               |
| <b>Flanges</b>                                | Grey cast iron up to size 80. Ductile cast iron from size 100                                                                                                           |                                                                                    |                                                                                                                              |                                               |
| <b>Frame</b>                                  | Aluminium up to size 50. Ductile cast iron from size 60                                                                                                                 |                                                                                    |                                                                                                                              |                                               |
| <b>Shaft</b>                                  | Steel alloy highly resistant                                                                                                                                            |                                                                                    |                                                                                                                              |                                               |
| <b>Eccentric masses</b>                       | Completely adjustable                                                                                                                                                   |                                                                                    |                                                                                                                              |                                               |



# The OLI Vibrator Range



Providing centrifugal force up to 26,000 kgs and with multiple voltage options OLI's range of electric motovibrators covers several fields of application in every country as well as many different industrial sectors: from food to mining, from foundry to recycling and more.

OLI's electric motovibrators are designed and manufactured using the latest technologies and premium quality materials and components.

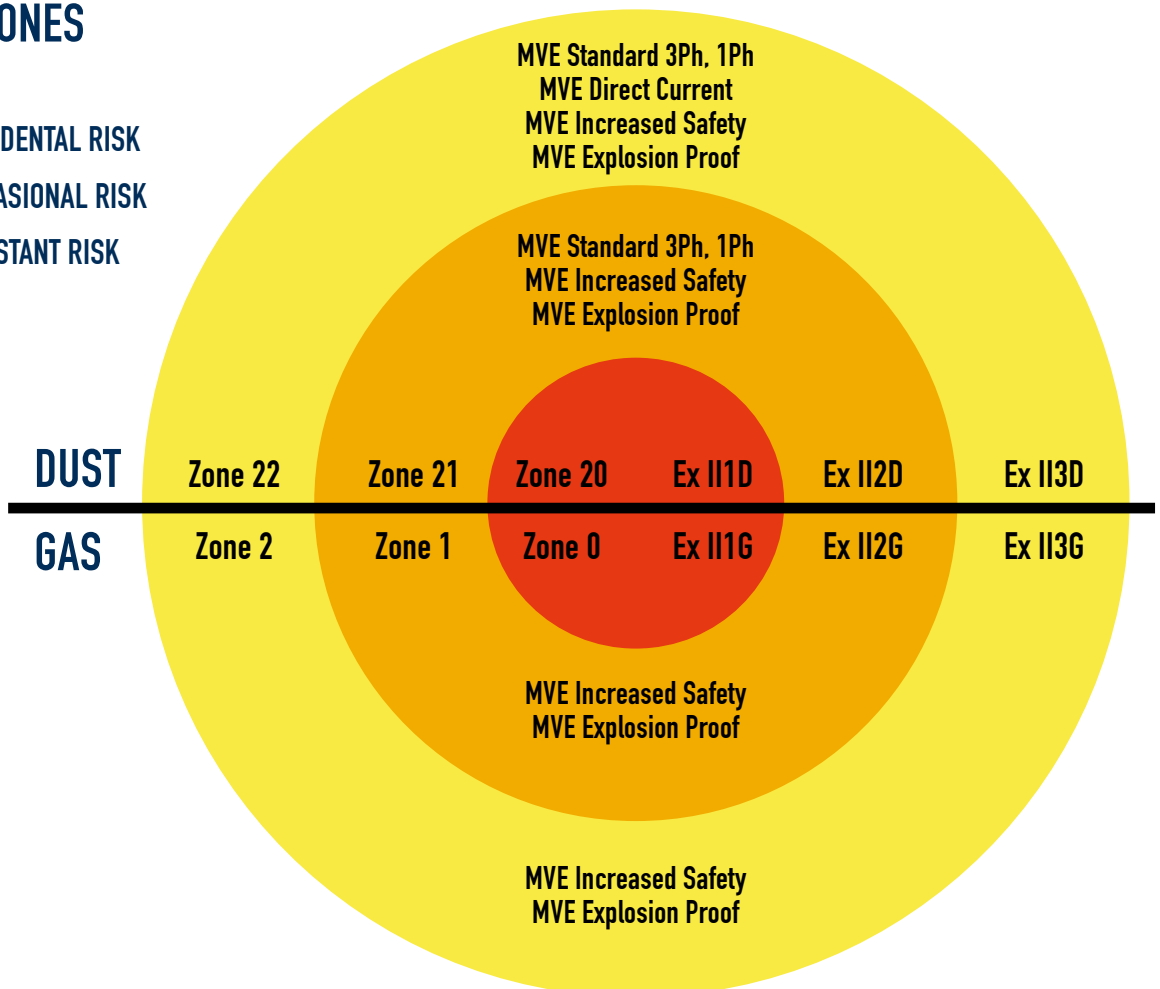
Motor bodies, bearing flanges and shafts are FMEA designed and manufactured using first grade Aluminium alloy, cast iron and steel alloy to withstand heavy duty applications and

guarantee safe operation in any condition. Vacuum impregnated windings and class F insulating materials enhance reliability and durability. Top quality bearings and an efficient grease retaining system assure long lasting performance and low noise generation. Adjustable eccentric masses allow easy fine tuning of the Max centrifugal force provided by the motor.

Several certifications for use in hazardous environments are available in the OLI range to match the most demanding specification worldwide.

## ATEX ZONES

- ACCIDENTAL RISK
- OCCASIONAL RISK
- CONSTANT RISK





# Certifications

## Standard range

SIZE 10-91

SIZE 100, 105, 110

MICRO

1-PH



Conformity with European Directive - Low voltage 2014/35/UE

Machine Directive 2006/42/EC; ATEX 2014/34/UE - UL 1836. UL 1004-1 - SAC22.2 NO 25. 100. 145

| CATEGORY                          | CERTIFICATIONS | INTERNATIONAL STANDARD                                                                     | GAS | DUST                          |
|-----------------------------------|----------------|--------------------------------------------------------------------------------------------|-----|-------------------------------|
| <b>ATEX zone 21</b>               |                | EN 60079-0, EN 60079-31                                                                    | n/a | II2D Ex tb IIIC Tx Db IP66    |
| Class II Div.2                    |                | IEC 60079-0, IEC 60079-31                                                                  | n/a | Ex tb IIIC Tx Db IP66         |
| Temperature range<br>-20/+40 °C * |                | UL 1004-1, UL 60079-0, UL 60079-31<br>CSA 22.2 100, CSA 22.2 60079-0,<br>CSA 22.2 60079-31 | n/a | Class II Div.2 Groups F, G T4 |

\* Extended temperature range up to 55 °C available on request.

**MVE DC Range:** II 3D Ex tc IIIC T100 IP66

Tx = T100 °C up to size 30 included;  
Tx= T135 °C from size 40 up.

## Increased safety range

SIZE 20-91



Conformity with European Directive - Low voltage 2014/35/UE

Machine Directive 2006/42/EC - ATEX 2014/34/UE

| CATEGORY                                     | CERTIFICATIONS | INTERNATIONAL STANDARD                                                                   | GAS                                  | DUST                          |
|----------------------------------------------|----------------|------------------------------------------------------------------------------------------|--------------------------------------|-------------------------------|
| <b>ATEX zone 1-21</b>                        |                | EN 60079-0, EN 60079-7                                                                   | II 2G Ex eb IIC T3 Gb                | II2D Ex tb IIIC Tx Db IP66    |
| Class II Div.2 (dust)<br>Class I Div.2 (gas) |                | IEC 60079-0, IEC 60079-7                                                                 | Ex eb IIC T3 Gb                      | Ex tb IIIC Tx Db IP66         |
| Temperature range<br>-20/+40 °C              |                | UL 1004-1, UL 60079-0, UL 60079-7<br>CSA 22.2 100, CSA 22.2 60079-0,<br>CSA 22.2 60079-7 | Class I Div.2<br>Group A, B, C, D T3 | Class II Div.2 Groups F, G T4 |

Tx = T100 °C up to size 30 included;  
Tx= T135 °C from size 40 up.

## Explosion proof range

SIZE 50-80



Conformity with European Directive - Low voltage 2006/95/EC - EMC 2004/108/EC

Machine Directive 2006/42/EC - ATEX 94/9/EC - UL 1836. UL 1004-1. UL 674 - CSAC22.2 NO 25. 100. 145

| CATEGORY              | CERTIFICATIONS | INTERNATIONAL STANDARD                                                                      | GAS                                 | DUST |
|-----------------------|----------------|---------------------------------------------------------------------------------------------|-------------------------------------|------|
| <b>ATEX zone 1-21</b> |                | EN 60079-0, EN 60079-31, EN 60079-1                                                         | ATEX II2G Ex db IIB T3              | n/a  |
| Class II Div.2        |                | IEC 60079-0, IEC 60079-31,<br>IEC 60079-1                                                   | IECEX Ex db IIB T3                  | n/a  |
|                       |                | UL 1004-1, UL 674<br>CSA 22.2 100, CSA 22.2 60079-1,<br>CSA 22.2 60079-0, CSA 22.2 60079-31 | CLASS I Div.1<br>Group C, D T3 IP66 | n/a  |

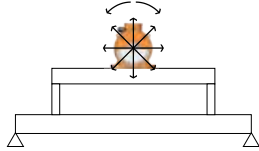


# How to choose a motovibrator

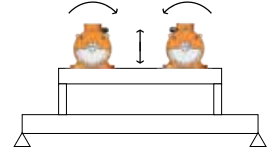
1.

Choose rpm and the amplitude "e" (0 - peak) suitable for your application:

Circular vibration



Linear vibration



| Application processes           | Vibration |        | Revolutions Per Minute |     |      |      |      |      |  |
|---------------------------------|-----------|--------|------------------------|-----|------|------|------|------|--|
|                                 |           |        | 50Hz                   | 750 | 1000 | 1500 | 3000 | 6000 |  |
|                                 | Circular  | Linear | 60Hz                   | 900 | 1200 | 1800 | 3600 | -    |  |
| Conveying                       |           | ✓      |                        |     | ✓    | ✓    |      |      |  |
| Separation / Screening / Sizing |           | ✓      |                        | ✓   | ✓    | ✓    |      |      |  |
| Positioning / Feeding           |           | ✓      |                        | ✓   | ✓    | ✓    |      |      |  |
| Filter cleaning                 | ✓         |        |                        |     |      |      | ✓    |      |  |
| Silo/hopper emptying            | ✓         |        |                        |     |      |      | ✓    |      |  |
| Fluid beds                      |           | ✓      |                        | ✓   | ✓    |      |      |      |  |
| Bin activators                  | ✓         |        |                        |     |      | ✓    | ✓    |      |  |
| Compacting                      |           | ✓      |                        |     |      |      | ✓    | ✓    |  |
| Concrete consolidation          | ✓         |        |                        |     |      |      | ✓    | ✓    |  |

| rpm   | e (mm) |      |
|-------|--------|------|
|       | Min.   | Max. |
| 3,600 | 0.3    | 0.6  |
| 3,000 | 0.3    | 0.8  |
| 1,800 | 1.2    | 2.2  |
| 1,500 | 1.4    | 2.6  |
| 1,200 | 2.5    | 4.0  |
| 1,000 | 3.0    | 5.2  |
| 900   | 3.5    | 5.5  |
| 750   | 3.5    | 6.0  |

2.

Choose an MVE from the tables of the following pages and use its  $W_m$  into this formula:

$$e = 5 \times \frac{n \times W_m}{n \times M_{mot} + M_{vm}}$$

e = amplitude of vibration 0-peak (mm)

n = number of vibrating motors

$W_m$  = working moment (kgcm)

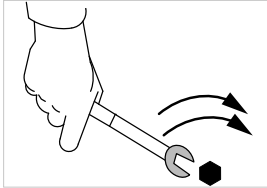
$M_{mot}$  = motor weight (kg)

$M_{vm}$  = vibrating machine weight (without material and motors)

# 3.

Check the obtained value “e”:

- If it is similar to the required one (step 1) ➡ the MVE model is correct.
- If it is not similar to the required one (step 1) ➡ repeat the process (step 2) with a different MVE model.



For tips on installation see section page 40



## Important

Several voltages are available to match local electric specifications worldwide both at 50Hz and 60Hz.

**All OLI motors can be operated with double voltage by simply changing the connections inside the terminal box from Star to Delta or vice-versa.**

**Three-phase MVEs with double rated voltage:**

∧ (Star) High Voltage - Factory preset

Δ (Delta) Low Voltage

**MVEs with “(Delta)”:**

Δ (Delta) Low Voltage - Factory preset

∧ (Star) High Voltage

For details about “Star” and “Delta” connections see page 41.

| VOLTAGE<br>Delta / Star   | Frequency (Hz) | Country                               |
|---------------------------|----------------|---------------------------------------|
| 200-230 / 345-400         | 50 / 60        | Japan<br>and Saudi Arabia             |
| 220-240 / 380-415         | 50             | Europe and most of<br>Asian Countries |
| 230 / 460 *               | 60             | USA                                   |
| 330 / 575 *               | 60             | Canada                                |
| 220-277 / 380-480         | 60             | Brazil                                |
| 290-300 / 500-525         | 50             | South Africa                          |
| 500-525 (Delta)           | 50             | South Africa                          |
| 380-480 (Delta)           | 60             | Brazil                                |
| 575 (Delta) *             | 60             | Canada                                |
| 380-415 / 660-720 (Delta) | 50             | Europe and most of<br>Asian Countries |
| 460 (Delta) *             | 60             | USA                                   |
| 115 (Single-phase)        | 60             | USA and Canada                        |
| 115 (Single-phase)        | 50             | Various                               |
| 220 (Single-phase)        | 60             | Brazil                                |
| 230 (Single-phase)        | 50             | Europe and most of<br>Asian Countries |

**\* Voltage Tolerance: ± 10%**

# MVE STANDARD RANGE



## 2 POLES - 3000/3600 rpm

| Wm (kgcm) |       | Model            |                   | Centrifugal Force (kg) |       | Weight (kg) |      | ELECTRICAL SPECIFICATIONS |      |                            |       |        |             | CERTIFICATE |                |        |
|-----------|-------|------------------|-------------------|------------------------|-------|-------------|------|---------------------------|------|----------------------------|-------|--------|-------------|-------------|----------------|--------|
|           |       |                  |                   |                        |       |             |      | Input Power (kW)          |      | Nominal Current A max. (Y) |       | Ia/In  |             | Cable Gland | Class II Div.2 | II 2D  |
| 50Hz      | 60Hz  | 50Hz             | 60Hz              | 50Hz                   | 60Hz  | 50Hz        | 60Hz | 50Hz                      | 60Hz | 50Hz                       | 60Hz  | Metric | Temp. Class | Temp. Class |                |        |
| 1.3       | 1.0   | MVE 60/3E-10A0   | MVE 60/36E-10A0   | 66                     | 71    | 4           |      | 0.09                      | 0.09 | 0.25                       | 0.23  | 3.2    | 3.2         | M16         | T4             | 100 °C |
| 2.0       | 1.3   | MVE 100/3E-10A0  | MVE 100/36E-10A0  | 98                     | 95    | 5           |      | 0.09                      | 0.09 | 0.25                       | 0.23  | 3.2    | 3.2         | M16         | T4             | 100 °C |
| 3.7       | 2.6   | MVE 200/3E-20A0  | MVE 200/36E-20A0  | 187                    | 189   | 7           |      | 0.15                      | 0.18 | 0.35                       | 0.30  | 3.5    | 3.5         | M20         | T4             | 100 °C |
| 3.7       | 2.6   | MVE 200/3E-23A0  | MVE 200/36E-23A0  | 187                    | 189   | 7           |      | 0.15                      | 0.18 | 0.35                       | 0.30  | 3.5    | 3.5         | M20         | T4             | 100 °C |
| 6.4       | 4.5   | MVE 300/3E-30A0  | MVE 300/36E-30A0  | 321                    | 323   | 10          |      | 0.25                      | 0.28 | 0.52                       | 0.45  | 3.8    | 3.7         | M20         | T4             | 100 °C |
| 8.0       | 5.7   | MVE 400/3E-30A0  | MVE 400/36E-30A0  | 407                    | 411   | 10          |      | 0.27                      | 0.33 | 0.58                       | 0.60  | 3.7    | 3.7         | M20         | T4             | 100 °C |
| 10.3      | 7.4   | MVE 500/3E-40A0  | MVE 500/36E-40A0  | 530                    | 534   | 16          |      | 0.50                      | 0.58 | 0.96                       | 0.97  | 4.2    | 4.4         | M20         | T4             | 135 °C |
| 14.9      | 10.6  | MVE 700/3E-40A0  | MVE 700/36E-40A0  | 758                    | 765   | 17          |      | 0.59                      | 0.61 | 1.25                       | 1.24  | 4.5    | 5.2         | M20         | T4             | 135 °C |
| 15.7      | 11.1  | MVE 800/3E-50A0  | MVE 800/36E-50A0  | 794                    | 800   | 20          |      | 0.70                      | 0.84 | 1.45                       | 1.50  | 4.0    | 4.0         | M20         | T4             | 135 °C |
| 20.3      | 14.0  | MVE 1200/3E-50A0 | MVE 1200/36E-50A0 | 1,005                  | 1,013 | 21          |      | 0.95                      | 1.15 | 1.85                       | 1.95  | 4.6    | 4.7         | M20         | T4             | 135 °C |
| 26.6      | 18.6  | MVE 1300/3E-50A0 | MVE 1300/36E-50A0 | 1,355                  | 1,365 | 22          |      | 1.30                      | 1.38 | 2.44                       | 2.25  | 5.4    | 5.2         | M20         | T4             | 135 °C |
| 26.6      | 18.6  | MVE 1300/3E-51A0 | MVE 1300/36E-51A0 | 1,355                  | 1,365 | 22          |      | 1.30                      | 1.38 | 2.44                       | 2.25  | 5.4    | 5.2         | M20         | T4             | 135 °C |
| 31.3      | 22.2  | MVE 1600/3E-60A0 | MVE 1600/36E-60A0 | 1,601                  | 1,608 | 51          | 50   | 1.54                      | 1.60 | 2.94                       | 2.61  | 6.1    | 6.4         | M25         | T4             | 135 °C |
| 36.8      | 27.6  | MVE 2000/3E-60A0 | MVE 2000/36E-60A0 | 2,027                  | 1,997 | 52          | 50   | 2.10                      | 2.10 | 3.75                       | 3.42  | 6.7    | 6.6         | M25         | T4             | 135 °C |
| 46.0      | 31.9  | MVE 2300/3E-60A0 | MVE 2300/36E-60A0 | 2,302                  | 2,306 | 53          | 51   | 2.40                      | 2.45 | 4.44                       | 3.45  | 6.2    | 6.5         | M25         | T4             | 135 °C |
| 68.1      | 43.9  | MVE 3200/3E-75A1 | MVE 3200/36E-75A1 | 3,252                  | 3,176 | 103         | 101  | 2.76                      | 2.90 | 5.30                       | 4.61  | 8.5    | 8.4         | M32         | T4             | 135 °C |
| 79.4      | 56.0  | MVE 4000/3E-75A1 | MVE 4000/36E-75A1 | 4,033                  | 4,052 | 107         | 104  | 2.90                      | 2.90 | 5.30                       | 4.61  | 8.7    | 9.9         | M32         | T4             | 135 °C |
| 103.2     | 69.8  | MVE 5000/3E-75A1 | MVE 5000/36E-75A1 | 5,009                  | 5,048 | 111         | 106  | 4.00                      | 4.00 | 7.22                       | 6.28  | 8.7    | 10.0        | M32         | T4             | 135 °C |
|           |       |                  |                   |                        |       |             |      | <b>A max. (Δ)</b>         |      |                            |       |        |             |             |                |        |
| 129.6     | 90.5  | MVE 6500/3E-85A0 | MVE 6500/36E-85A0 | 6,510                  | 6,552 | 228         | 230  | 5.23                      | 5.50 | 9.43                       | 8.20  | 8.7    | 9.0         | M32         | T4             | 135 °C |
| 179.6     | 129.6 | MVE 9000/3E-85A0 | MVE 9000/36E-85A0 | 9,025                  | 9,375 | 240         | 235  | 9.50                      | 9.30 | 17.80                      | 14.40 | 8.6    | 8.8         | M32         | T4             | 135 °C |
| 129.6     | 90.5  | MVE 6500/3E-86A0 | MVE 6500/36E-86A0 | 6,510                  | 6,552 | 228         | 230  | 5.50                      | 6.30 | 9.50                       | 9.50  | 8.2    | 7.7         | M32         | T4             | 135 °C |
| 179.6     | 129.6 | MVE 9000/3E-86A0 | MVE 9000/36E-86A0 | 9,025                  | 9,375 | 240         | 235  | 6.60                      | 7.70 | 11.50                      | 11.50 | 8.2    | 8.2         | M32         | T4             | 135 °C |



**UP TO SIZE 60 (NOT INCLUDED)**  
60Hz masses = 50Hz masses adjusted at 70%



**ABOVE SIZE 60 (INCLUDED)**  
Specific masses for 60Hz

To convert kg into Newton:  $N = 9.81 \cdot kg$



- » II 2D Ex tb IIIC Tx Db IP66
- » Equipment and protective system intended for use in potentially explosive atmospheres [Zone 21] - Directive 2014/34/UE
- » Compliance with Essential Health and Safety Requirements
- » IEC 60034-1, IEC EN 60079-0, IEC EN 60079-31



| Model            |                   | Drawing | Size | DIMENSIONAL SPECIFICATIONS (mm) |      |      |      |                                                                            |     |     |       |     |     |    |     |     |     |     |
|------------------|-------------------|---------|------|---------------------------------|------|------|------|----------------------------------------------------------------------------|-----|-----|-------|-----|-----|----|-----|-----|-----|-----|
|                  |                   |         |      | C                               |      | M)   |      | A                                                                          | B   | Ø G | Holes | D   | E   | F  | H   | I   | L   | N   |
|                  |                   |         |      | 50Hz                            | 60Hz | 50Hz | 60Hz |                                                                            |     |     | n°    |     |     |    |     |     |     |     |
| MVE 60/3E-10A0   | MVE 60/36E-10A0   | A1      | 10A0 | 213                             |      | 45   |      | Multiple Footprint<br>62-74 106 9<br>33 83-102 7                           |     |     | 4     | 130 | 135 | 11 | 50  | 96  | 107 | 85  |
| MVE 100/3E-10A0  | MVE 100/36E-10A0  | A1      | 10A0 | 213                             |      | 45   |      | Multiple Footprint<br>62-74 106 9<br>33 83-102 7                           |     |     | 4     | 130 | 135 | 11 | 50  | 96  | 107 | 85  |
| MVE 200/3E-20A0  | MVE 200/36E-20A0  | B1      | 20A0 | 233                             |      | 54   |      | 62-74                                                                      | 106 | 9   | 4     | 130 | 154 | 15 | 65  | 125 | 120 | 112 |
| MVE 200/3E-23A0  | MVE 200/36E-23A0  | G       | 23A0 | 222                             |      | 55   |      | Multiple Footprint<br>62-74 106 9<br>65 140 13<br>115 135 11<br>135 115 11 |     |     | 4     | 164 | 140 | 25 | 82  | 116 | 159 | 110 |
| MVE 300/3E-30A0  | MVE 300/36E-30A0  | C1      | 30A0 | 254                             |      | 42   |      | Multiple Footprint<br>80 110 11<br>90 125 13<br>124 110 11<br>135 115 11   |     |     | 4     | 150 | 173 | 15 | 79  | 150 | 166 | 134 |
| MVE 400/3E-30A0  | MVE 400/36E-30A0  | C1      | 30A0 | 274                             |      | 52   |      | Multiple Footprint<br>80 110 11<br>90 125 13<br>124 110 11<br>135 115 11   |     |     | 4     | 150 | 173 | 15 | 79  | 150 | 166 | 134 |
| MVE 500/3E-40A0  | MVE 500/36E-40A0  | D1      | 40A0 | 330                             |      | 78   |      | 105                                                                        | 140 | 13  | 4     | 170 | 196 | 20 | 92  | 169 | 166 | 158 |
| MVE 700/3E-40A0  | MVE 700/36E-40A0  | D1      | 40A0 | 330                             |      | 78   |      | 105                                                                        | 140 | 13  | 4     | 170 | 196 | 20 | 92  | 169 | 166 | 158 |
| MVE 800/3E-50A0  | MVE 800/36E-50A0  | D1      | 50A0 | 321                             |      | 62   |      | 120                                                                        | 170 | 17  | 4     | 208 | 210 | 22 | 96  | 185 | 192 | 170 |
| MVE 1200/3E-50A0 | MVE 1200/36E-50A0 | D1      | 50A0 | 321                             |      | 62   |      | 120                                                                        | 170 | 17  | 4     | 208 | 210 | 22 | 96  | 185 | 192 | 170 |
| MVE 1300/3E-50A0 | MVE 1300/36E-50A0 | D1      | 50A0 | 321                             |      | 62   |      | 120                                                                        | 170 | 17  | 4     | 208 | 210 | 22 | 96  | 185 | 192 | 170 |
| MVE 1300/3E-51A0 | MVE 1300/36E-51A0 | D1      | 51A0 | 310                             |      | 55   |      | 120                                                                        | 170 | 17  | 4     | 208 | 220 | 25 | 105 | 203 | 192 | 187 |
| MVE 1600/3E-60A0 | MVE 1600/36E-60A0 | D1      | 60A0 | 402                             |      | 90   |      | 140                                                                        | 190 | 17  | 4     | 230 | 260 | 26 | 124 | 240 | 218 | 222 |
| MVE 2000/3E-60A0 | MVE 2000/36E-60A0 | D1      | 60A0 | 402                             |      | 90   |      | 140                                                                        | 190 | 17  | 4     | 230 | 260 | 26 | 124 | 240 | 218 | 222 |
| MVE 2300/3E-60A0 | MVE 2300/36E-60A0 | D1      | 60A0 | 402                             |      | 90   |      | 140                                                                        | 190 | 17  | 4     | 230 | 260 | 26 | 124 | 240 | 218 | 222 |
| MVE 3200/3E-75A1 | MVE 3200/36E-75A1 | D1      | 75A1 | 516                             |      | 117  |      | 155                                                                        | 255 | 25  | 4     | 304 | 314 | 30 | 147 | 285 | 277 | 265 |
| MVE 4000/3E-75A1 | MVE 4000/36E-75A1 | D1      | 75A1 | 516                             |      | 117  |      | 155                                                                        | 255 | 25  | 4     | 304 | 314 | 30 | 147 | 285 | 277 | 265 |
| MVE 5000/3E-75A1 | MVE 5000/36E-75A1 | D1      | 75A1 | 564                             | 516  | 141  | 117  | 155                                                                        | 255 | 25  | 4     | 304 | 314 | 30 | 147 | 285 | 277 | 265 |
| MVE 6500/3E-85A0 | MVE 6500/36E-85A0 | D1      | 85A0 | 624                             |      | 130  |      | 200                                                                        | 320 | 28  | 4     | 385 | 402 | 40 | 203 | 394 | 360 | 378 |
| MVE 9000/3E-85A0 | MVE 9000/36E-85A0 | D1      | 85A0 | 624                             |      | 130  |      | 200                                                                        | 320 | 28  | 4     | 385 | 402 | 40 | 203 | 394 | 360 | 378 |
| MVE 6500/3E-86A0 | MVE 6500/36E-86A0 | D1      | 86A0 | 624                             |      | 130  |      | 200                                                                        | 320 | 28  | 4     | 385 | 402 | 40 | 203 | 394 | 360 | 378 |
| MVE 9000/3E-86A0 | MVE 9000/36E-86A0 | D1      | 86A0 | 624                             |      | 130  |      | 200                                                                        | 320 | 28  | 4     | 385 | 402 | 40 | 203 | 394 | 360 | 378 |

STANDARD

INCREASED SAFETY

EXPLOSION-PROOF

HI-STROKE MILLING

NOTE: Dimensions with coarse degree of accuracy related to UNI 22768/1

This information is provided without warranty, representation, inducement or licence of any kind. It is accurate to the best OLI knowledge or is obtained from sources believed to be accurate. OLI therefore assumes no legal responsibility.



» Class II Div.2 Group F, G T4  
 » Conform to UL 1004-1, UL 1004-3, UL60079-31, UL60079-0, CSA 60079-0, CSA 60079- 31, CSA 22.2 N°100, CSA 22.2 N°77

# MVE STANDARD RANGE



## 4 POLES - 1500/1800 rpm

| Wm (Kgcm) |       | Model               |                     | Centrifugal Force (kg) |        | Weight (kg) |      | ELECTRICAL SPECIFICATIONS |             |                            |       |        |             | CERTIFICATE |                |        |
|-----------|-------|---------------------|---------------------|------------------------|--------|-------------|------|---------------------------|-------------|----------------------------|-------|--------|-------------|-------------|----------------|--------|
|           |       |                     |                     |                        |        |             |      | Input Power (kW)          |             | Nominal Current A max. (Y) |       | Ia/In  |             | Cable Gland | Class II Div.2 | II 2D  |
| 50Hz      | 60Hz  | 50 Hz               | 60 Hz               | 50Hz                   | 60Hz   | 50Hz        | 60Hz | 50Hz (400V)               | 60Hz (460V) | 50Hz                       | 60Hz  | Metric | Temp. Class | Temp. Class |                |        |
| 2.0       | 2.0   | MVE 40/15E-10A0     | MVE 40/18E-10A0     | 25                     | 36     | 5           |      | 0.05                      | 0.04        | 0.31                       | 0.31  | 2.2    | 2.2         | M16         | T4             | 100 °C |
| 6.0       | 4.2   | MVE 90/15E-20A0     | MVE 90/18E-20A0     | 75                     | 76     | 7           |      | 0.07                      | 0.08        | 0.31                       | 0.25  | 2.2    | 2.2         | M20         | T4             | 100 °C |
| 6.0       | 4.2   | MVE 90/15E-23A0     | MVE 90/18E-23A0     | 75                     | 76     | 7           |      | 0.07                      | 0.08        | 0.31                       | 0.25  | 2.2    | 2.2         | M20         | T4             | 100 °C |
| 15.4      | 10.8  | MVE 200/15E-30A0    | MVE 200/18E-30A0    | 194                    | 196    | 12          |      | 0.12                      | 0.15        | 0.49                       | 0.50  | 2.2    | 2.2         | M20         | T4             | 100 °C |
| 33.4      | 23.4  | MVE 400/15E-40A0    | MVE 400/18E-40A0    | 420                    | 423    | 20          |      | 0.27                      | 0.32        | 0.84                       | 0.86  | 2.7    | 2.7         | M20         | T4             | 135 °C |
| 40.1      | 28.1  | MVE 500/15E-40A0    | MVE 500/18E-40A0    | 504                    | 508    | 21          |      | 0.35                      | 0.40        | 1.06                       | 1.09  | 3.0    | 2.9         | M20         | T4             | 135 °C |
| 26.6      | 18.6  | MVE 300/15E-50A0    | MVE 300/18E-50A0    | 334                    | 336    | 22          |      | 0.62                      | 0.73        | 1.32                       | 1.20  | 3.2    | 3.4         | M20         | T4             | 135 °C |
| 26.6      | 18.6  | MVE 300/15E-51A0    | MVE 300/18E-51A0    | 334                    | 336    | 22          |      | 0.62                      | 0.73        | 1.32                       | 1.20  | 3.2    | 3.4         | M20         | T4             | 135 °C |
| 56.8      | 39.4  | MVE 700/15E-50A0    | MVE 700/18E-50A0    | 714                    | 712    | 27          |      | 0.62                      | 0.73        | 1.32                       | 1.20  | 3.2    | 3.4         | M20         | T4             | 135 °C |
| 56.8      | 39.4  | MVE 710/15E-50A0    | MVE 710/18E-50A0    | 714                    | 712    | 27          |      | 0.62                      | 0.73        | 1.32                       | 1.20  | 3.2    | 3.4         | M20         | T4             | 135 °C |
| 75.6      | 52.9  | MVE 950/15E-50A0    | MVE 950/18E-50A0    | 950                    | 957    | 33          |      | 0.64                      | 0.77        | 1.40                       | 1.35  | 4.2    | 4.2         | M20         | T4             | 135 °C |
| 88.7      | 62.0  | MVE 1100/15E-50A0   | MVE 1100/18E-50A0   | 1,114                  | 1,122  | 36          |      | 0.64                      | 0.77        | 1.40                       | 1.35  | 4.0    | 4.0         | M20         | T4             | 135 °C |
| 87.7      | 61.4  | MVE 1100/15E-51A0   | MVE 1100/18E-51A0   | 1,102                  | 1,110  | 48          |      | 0.64                      | 0.77        | 1.40                       | 1.35  | 4.0    | 4.0         | M20         | T4             | 135 °C |
| 108.6     | 76.7  | MVE 1400/15E-60A0   | MVE 1400/18E-60A0   | 1,364                  | 1,388  | 63.5        | 60.5 | 0.70                      | 0.84        | 1.78                       | 1.78  | 4.2    | 4.2         | M25         | T4             | 135 °C |
| 137.3     | 92.0  | MVE 1700/15E-60A0   | MVE 1700/18E-60A0   | 1,725                  | 1,664  | 67.5        | 64   | 1.13                      | 1.30        | 2.16                       | 2.09  | 4.9    | 4.7         | M25         | T4             | 135 °C |
| 187.7     | 137.4 | MVE 2400/15E-60A0   | MVE 2400/18E-60A0   | 2,358                  | 2,485  | 68          | 65   | 1.57                      | 1.88        | 3.20                       | 3.20  | 5.1    | 5.1         | M25         | T4             | 135 °C |
| 203.5     | 135.6 | MVE 2500/15E-70A0   | MVE 2500/18E-70A0   | 2,557                  | 2,454  | 83.5        | 74   | 1.76                      | 2.00        | 3.08                       | 3.00  | 6.2    | 6.3         | M25         | T4             | 135 °C |
| 248.7     | 169.8 | MVE 3000/15E-70A0   | MVE 3000/18E-70A0   | 3,124                  | 3,071  | 85          | 78   | 1.90                      | 2.30        | 3.68                       | 3.30  | 6.7    | 6.8         | M25         | T4             | 135 °C |
| 306.7     | 204.7 | MVE 3800/15E-75A0   | MVE 3800/18E-75A0   | 3,853                  | 3,704  | 125         | 113  | 2.20                      | 2.60        | 4.15                       | 4.15  | 7.0    | 7.0         | M32         | T4             | 135 °C |
| 343.2     | 240.9 | MVE 4300/15E-75A0   | MVE 4300/18E-75A0   | 4,312                  | 4,359  | 136         | 120  | 2.50                      | 3.00        | 4.50                       | 4.60  | 7.2    | 7.4         | M32         | T4             | 135 °C |
| 437.4     | 303.7 | MVE 5500/15E-80A0   | MVE 5500/18E-80A0   | 5,495                  | 5,495  | 181         | 169  | 2.88                      | 3.45        | 6.50                       | 5.50  | 7.3    | 7.2         | M32         | T4             | 135 °C |
|           |       |                     |                     |                        |        |             |      | <b>A max. (Δ)</b>         |             |                            |       |        |             |             |                |        |
| 576.8     | 397.3 | MVE 7200/15E-85A0   | MVE 7200/18E-85A0   | 7,246                  | 7,188  | 237         | 231  | 4.00                      | 4.80        | 8.50                       | 8.70  | 7.0    | 7.1         | M32         | T4             | 135 °C |
| 718.0     | 498.8 | MVE 9000/15E-85A0   | MVE 9000/18E-85A0   | 9,020                  | 9,023  | 252         | 241  | 7.35                      | 8.50        | 13.40                      | 12.00 | 7.2    | 7.2         | M32         | T4             | 135 °C |
| 579.9     | 406.0 | MVE 7200/15E-86A0   | MVE 7200/18E-86A0   | 7,286                  | 7,345  | 237         | 231  | 6.00                      | 6.50        | 11.00                      | 10.80 | 4.7    | 4.5         | M32         | T4             | 135 °C |
| 724.8     | 507.0 | MVE 9000/15E-86A0   | MVE 9000/18E-86A0   | 9,106                  | 9,172  | 252         | 241  | 6.00                      | 6.50        | 11.00                      | 10.80 | 4.7    | 4.5         | M32         | T4             | 135 °C |
| 800.1     | 588.3 | MVE 10000/15E-90A0  | MVE 10000/18E-90A0  | 10,052                 | 10,643 | 300         | 286  | 5.40                      | 7.00        | 13.00                      | 13.00 | 6.7    | 6.6         | M32         | T4             | 135 °C |
| 835.7     | 581.3 | MVE 10000/15E-91A0  | MVE 10000/18E-91A0  | 10,499                 | 10,517 | 300         | 286  | 7.00                      | 8.20        | 13.10                      | 13.10 | 7.2    | 7.7         | M32         | T4             | 135 °C |
| 939       | 655   | MVE 11500/15E-100A0 | MVE 11500/18E-100A0 | 11,779                 | 11,853 | 445         | 422  | 9.0                       | 10.0        | 15.5                       | 15.5  | 7.0    | 7.0         | M32         | T4             | 135 °C |
| 1,142     | 838   | MVE 14500/15E-100A0 | MVE 14500/18E-100A0 | 14,352                 | 15,153 | 460         | 442  | 11.0                      | 13.0        | 18.5                       | 18.5  | 8.0    | 8.0         | M32         | T4             | 135 °C |



**UP TO SIZE 60 (NOT INCLUDED)**  
60Hz masses = 50Hz masses adjusted at 70%  
Except for model MVE 1100/15 - 1100/18



**ABOVE SIZE 60 (INCLUDED)**  
Specific masses for 60Hz

To convert kg into Newton: **N = 9.81 · kg**



- » II2D Ex tb IIIC Tx Db IP66
- » Equipment and protective system intended for use in potentially explosive atmospheres [Zone 21] - Directive 2014/34/UE
- » Compliance with Essential Health and Safety Requirements
- » IEC 60034-1, IEC EN 60079-0, IEC EN 60079-31



| Model             |                   | Drawing | Size | DIMENSIONAL SPECIFICATIONS (mm) |      |                                                                            |      |     |     |      |       |     |     |     |     |     |     |     |
|-------------------|-------------------|---------|------|---------------------------------|------|----------------------------------------------------------------------------|------|-----|-----|------|-------|-----|-----|-----|-----|-----|-----|-----|
|                   |                   |         |      | C                               |      | M                                                                          |      | A   | B   | Ø G  | Holes | D   | E   | F   | H   | I   | L   | N   |
|                   |                   |         |      | 50Hz                            | 60Hz | 50Hz                                                                       | 60Hz |     |     |      | n°    |     |     |     |     |     |     |     |
| MVE 40/15E-10A0   | MVE 40/18E-10A0   | A       | 10A0 | 213                             | 45   | Multiple Footprint<br>62-74 106 9<br>33 83-102 7                           |      |     | 4   | 130  | 135   | 11  | 50  | 96  | 107 | 85  |     |     |
| MVE 90/15E-20A0   | MVE 90/18E-20A0   | B       | 20A0 | 233                             | 54   | 62-74                                                                      | 106  | 9   | 4   | 130  | 154   | 15  | 65  | 125 | 120 | 112 |     |     |
| MVE 90/15E-23A0   | MVE 90/18E-23A0   | G       | 23A0 | 222                             | 55   | Multiple Footprint<br>62-74 106 9<br>65 140 13<br>115 135 11<br>135 115 11 |      |     | 4   | 164  | 140   | 25  | 82  | 116 | 159 | 110 |     |     |
| MVE 200/15E-30A0  | MVE 200/18E-30A0  | C       | 30A0 | 274                             | 52   | Multiple Footprint<br>80 110 11<br>90 125 13<br>124 110 11<br>135 115 11   |      |     | 4   | 150  | 173   | 15  | 79  | 150 | 166 | 134 |     |     |
| MVE 400/15E-40A0  | MVE 400/18E-40A0  | D1      | 40A0 | 330                             | 78   | 105                                                                        | 140  | 13  | 4   | 170  | 196   | 20  | 92  | 174 | 166 | 160 |     |     |
| MVE 500/15E-40A0  | MVE 500/18E-40A0  | D1      | 40A0 | 330                             | 78   | 105                                                                        | 140  | 13  | 4   | 170  | 196   | 20  | 92  | 174 | 166 | 160 |     |     |
| MVE 300/15E-50A0  | MVE 300/18E-50A0  | D1      | 50A0 | 321                             | 62   | 120                                                                        | 170  | 17  | 4   | 208  | 210   | 22  | 96  | 185 | 192 | 170 |     |     |
| MVE 300/15E-51A0  | MVE 300/18E-51A0  | D1      | 51A0 | 321                             | 62   | 120                                                                        | 170  | 17  | 4   | 208  | 220   | 25  | 105 | 202 | 192 | 187 |     |     |
| MVE 700/15E-50A0  | MVE 700/18E-50A0  | D1      | 50A0 | 391                             | 97   | 120                                                                        | 170  | 17  | 4   | 208  | 210   | 22  | 96  | 185 | 192 | 170 |     |     |
| MVE 710/15E-50A0  | MVE 710/18E-50A0  | D1      | 50A0 | 391                             | 97   | 120                                                                        | 170  | 17  | 4   | 208  | 210   | 22  | 96  | 185 | 192 | 170 |     |     |
| MVE 950/15E-50A0  | MVE 950/18E-50A0  | D1      | 50A0 | 455                             | 129  | 120                                                                        | 170  | 17  | 4   | 208  | 210   | 22  | 96  | 185 | 192 | 170 |     |     |
| MVE 1100/15E-50A0 | MVE 1100/18E-50A0 | D1      | 50A0 | 455                             | 129  | 120                                                                        | 170  | 17  | 4   | 208  | 210   | 22  | 96  | 185 | 192 | 170 |     |     |
| MVE 1100/15E-51A0 | MVE 1100/18E-51A0 | D1      | 51A0 | 414                             | 106  | 120                                                                        | 170  | 17  | 4   | 208  | 220   | 25  | 105 | 202 | 192 | 187 |     |     |
| MVE 1400/15E-60A0 | MVE 1400/18E-60A0 | D1      | 60A0 | 446                             | 112  | 140                                                                        | 190  | 17  | 4   | 230  | 260   | 26  | 124 | 240 | 218 | 222 |     |     |
| MVE 1700/15E-60A0 | MVE 1700/18E-60A0 | D1      | 60A0 | 446                             | 112  | 140                                                                        | 190  | 17  | 4   | 230  | 260   | 26  | 124 | 240 | 218 | 222 |     |     |
| MVE 2400/15E-60A0 | MVE 2400/18E-60A0 | D1      | 60A0 | 490                             | 446  | 134                                                                        | 112  | 140 | 190 | 17   | 4     | 230 | 260 | 26  | 124 | 240 | 218 | 222 |
| MVE 2500/15E-70A0 | MVE 2500/18E-70A0 | D1      | 70A0 | 501                             | 123  | 155                                                                        | 225  | 22  | 4   | 275  | 290   | 30  | 140 | 256 | 250 | 236 |     |     |
| MVE 3000/15E-70A0 | MVE 3000/18E-70A0 | D1      | 70A0 | 535                             | 501  | 140                                                                        | 123  | 155 | 225 | 22   | 4     | 275 | 290 | 30  | 140 | 256 | 250 | 236 |
| MVE 3800/15E-75A0 | MVE 3800/18E-75A0 | D1      | 75A0 | 564                             | 536  | 151                                                                        | 117  | 155 | 255 | 23.5 | 4     | 304 | 314 | 30  | 147 | 285 | 277 | 265 |
| MVE 4300/15E-75A0 | MVE 4300/18E-75A0 | D1      | 75A0 | 584                             | 564  | 151                                                                        | 141  | 155 | 255 | 23.5 | 4     | 304 | 314 | 30  | 147 | 285 | 277 | 265 |
| MVE 5500/15E-80A0 | MVE 5500/18E-80A0 | E1      | 80A0 | 603                             | 143  | 180                                                                        | 280  | 26  | 4   | 332  | 360   | 37  | 167 | 345 | 304 | 310 |     |     |

|                     |                     |    |      |     |     |     |     |    |   |     |     |    |     |     |     |     |
|---------------------|---------------------|----|------|-----|-----|-----|-----|----|---|-----|-----|----|-----|-----|-----|-----|
| MVE 7200/15E-85A0   | MVE 7200/18E-85A0   | D1 | 85A0 | 624 | 130 | 200 | 320 | 28 | 4 | 385 | 402 | 40 | 203 | 394 | 360 | 378 |
| MVE 9000/15E-85A0   | MVE 9000/18E-85A0   | D1 | 85A0 | 624 | 130 | 200 | 320 | 28 | 4 | 385 | 402 | 40 | 203 | 394 | 360 | 378 |
| MVE 7200/15E-86A0   | MVE 7200/18E-86A0   | D1 | 86A0 | 624 | 130 | 200 | 320 | 28 | 4 | 385 | 402 | 40 | 203 | 394 | 360 | 378 |
| MVE 9000/15E-86A0   | MVE 9000/18E-86A0   | D1 | 86A0 | 624 | 130 | 200 | 320 | 28 | 4 | 385 | 402 | 40 | 203 | 394 | 360 | 378 |
| MVE 10000/15E-90A0  | MVE 10000/18E-90A0  | E1 | 90A0 | 728 | 170 | 125 | 380 | 39 | 6 | 452 | 415 | 40 | 205 | 394 | 380 | 378 |
| MVE 10000/15E-91A0  | MVE 10000/18E-91A0  | E1 | 91A0 | 728 | 170 | 125 | 380 | 39 | 6 | 452 | 415 | 40 | 205 | 394 | 380 | 378 |
| MVE 11500/15E-100A0 | MVE 11500/18E-100A0 | E  | 100  | 890 | 210 | 140 | 440 | 45 | 6 | 530 | 484 | 37 | 232 | 446 | 470 | 424 |
| MVE 14500/15E-100A0 | MVE 14500/18E-100A0 | E  | 100  | 890 | 210 | 140 | 440 | 45 | 6 | 530 | 484 | 37 | 232 | 446 | 470 | 424 |

NOTE: Dimensions with coarse degree of accuracy related to UNI 22768/1

This information is provided without warranty, representation, inducement or licence of any kind. It is accurate to the best OLI knowledge or is obtained from sources believed to be accurate. OLI therefore assumes no legal responsibility.



» Class II Div.2 Group F, G T4  
 » Conform to UL 1004-1, UL 1004-3, UL60079-31, UL60079-0, CSA 60079-0, CSA 60079- 31, CSA 22.2 N°100, CSA 22.2 N°77

STANDARD

INCREASED SAFETY

EXPLOSION-PROOF

HI-STROKE MILLING



# MVE STANDARD RANGE



## 6 POLES - 1000/1200 rpm

| Wm (Kgc/m) |         | Model              |                     | Centrifugal Force (kg) |        | Weight (kg) |      | ELECTRICAL SPECIFICATIONS |      |                            |       |        |             | CERTIFICATE |                |        |
|------------|---------|--------------------|---------------------|------------------------|--------|-------------|------|---------------------------|------|----------------------------|-------|--------|-------------|-------------|----------------|--------|
|            |         |                    |                     |                        |        |             |      | Input Power (kW)          |      | Nominal Current A max. (Y) |       | Ia/In  |             | Cable Gland | Class II Div.2 | II 2D  |
| 50Hz       | 60Hz    | 50Hz               | 60Hz                | 50Hz                   | 60Hz   | 50Hz        | 60Hz | 50Hz                      | 60Hz | 50Hz                       | 60Hz  | Metric | Temp. Class | Temp. Class |                |        |
| 9.5        | 6.6     | MVE 50/1E-30A0     | MVE 50/12E-30A0     | 53                     | 53     | 10          |      | 0.12                      | 0.14 | 0.30                       | 0.40  | 2.2    | 2.2         | M20         | T4             | 100 °C |
| 18.8       | 13.2    | MVE 100/1E-30A0    | MVE 100/12E-30A0    | 105                    | 106    | 11          |      | 0.12                      | 0.14 | 0.30                       | 0.40  | 2.2    | 2.2         | M20         | T4             | 100 °C |
| 33.5       | 23.4    | MVE 200/1E-40A0    | MVE 200/12E-40A0    | 187                    | 188    | 19          |      | 0.15                      | 0.18 | 0.65                       | 0.63  | 2.2    | 2.2         | M20         | T4             | 135 °C |
| 56.9       | 39.9    | MVE 300/1E-50A0    | MVE 300/12E-50A0    | 318                    | 320    | 26          |      | 0.25                      | 0.30 | 0.67                       | 0.64  | 2.7    | 2.7         | M20         | T4             | 135 °C |
| 91.9       | 64.3    | MVE 500/1E-50A0    | MVE 500/12E-50A0    | 513                    | 517    | 34          |      | 0.55                      | 0.40 | 1.22                       | 1.15  | 3.0    | 2.9         | M20         | T4             | 135 °C |
| 91.9       | 91.9    | MVE 510/1E-50A0    | MVE 510/12E-50A0    | 513                    | 739    | 34          |      | 0.55                      | 0.40 | 1.20                       | 1.15  | 3.0    | 2.9         | M20         | T4             | 135 °C |
| 137.4      | 108.6   | MVE 800/1E-60A0    | MVE 800/12E-60A0    | 767                    | 873    | 60          | 58   | 0.75                      | 0.80 | 1.42                       | 1.32  | 3.4    | 3.3         | M25         | T4             | 135 °C |
| 187.7      | 137.3   | MVE 1100/1E-60A0   | MVE 1100/12E-60A0   | 1,048                  | 1,104  | 78          | 72   | 0.75                      | 0.80 | 1.42                       | 1.32  | 3.4    | 3.3         | M25         | T4             | 135 °C |
| 284.8      | 196.5   | MVE 1500/1E-60A0   | MVE 1500/12E-60A0   | 1,590                  | 1,580  | 84          | 73   | 0.90                      | 1.08 | 1.80                       | 2.00  | 3.5    | 3.5         | M25         | T4             | 135 °C |
| 299.6      | 203.5   | MVE 1600/1E-70A0   | MVE 1600/12E-70A0   | 1,673                  | 1,636  | 90          | 79   | 0.90                      | 1.08 | 2.40                       | 2.30  | 3.9    | 3.8         | M25         | T4             | 135 °C |
| 373.1      | 248.7   | MVE 2100/1E-70A0   | MVE 2100/12E-70A0   | 2,083                  | 2,000  | 105         | 91   | 1.50                      | 1.80 | 3.00                       | 3.20  | 4.5    | 4.6         | M25         | T4             | 135 °C |
| 401.0      | 275.2   | MVE 2200/1E-70A0   | MVE 2200/12E-70A0   | 2,239                  | 2,213  | 107         | 93   | 1.50                      | 1.80 | 3.00                       | 3.20  | 4.5    | 4.6         | M25         | T4             | 135 °C |
| 467.4      | 306.7   | MVE 2600/1E-75A0   | MVE 2600/12E-75A0   | 2,610                  | 2,466  | 149         | 132  | 1.96                      | 2.10 | 4.10                       | 4.00  | 5.0    | 5.0         | M32         | T4             | 135 °C |
| 540.3      | 379.7   | MVE 3000/1E-75A0   | MVE 3000/12E-75A0   | 3,017                  | 3,053  | 155         | 138  | 2.20                      | 2.40 | 4.50                       | 4.30  | 5.2    | 5.2         | M32         | T4             | 135 °C |
| 702.5      | 465.6   | MVE 3700/1E-75A0   | MVE 3700/12E-75A0   | 3,797                  | 3,744  | 155         | 142  | 2.20                      | 2.40 | 4.50                       | 4.30  | 5.2    | 5.2         | M32         | T4             | 135 °C |
| 680.4      | 437.4   | MVE 3800/1E-80A0   | MVE 3800/12E-80A0   | 3,799                  | 3,517  | 216         | 195  | 2.50                      | 3.00 | 5.50                       | 5.30  | 6.1    | 6.2         | M32         | T4             | 135 °C |
| 838.3      | 584.2   | MVE 4700/1E-80A0   | MVE 4700/12E-80A0   | 4,681                  | 4,697  | 220         | 201  | 3.20                      | 3.90 | 6.50                       | 6.95  | 5.7    | 5.9         | M32         | T4             | 135 °C |
| 929.9      | 654.6   | MVE 5200/1E-85A0   | MVE 5200/12E-85A0   | 5,192                  | 5,263  | 264         | 248  | 3.80                      | 4.00 | 6.92                       | 6.36  | 5.7    | 5.7         | M32         | T4             | 135 °C |
| 1,165.2    | 824.0   | MVE 6500/1E-85A0   | MVE 6500/12E-85A0   | 6,506                  | 6,625  | 288         | 265  | 4.30                      | 5.00 | 7.76                       | 7.81  | 6.4    | 6.2         | M32         | T4             | 135 °C |
|            |         |                    |                     |                        |        |             |      | A max. (Δ)                |      |                            |       |        |             |             |                |        |
| 1,436.0    | 929.8   | MVE 8000/1E-85A0   | MVE 8000/12E-85A0   | 8,018                  | 7,476  | 309         | 274  | 5.50                      | 6.60 | 12.60                      | 11.60 | 6.2    | 6.4         | M32         | T4             | 135 °C |
| 1,600.4    | 1,165.2 | MVE 9000/1E-85A0   | MVE 9000/12E-85A0   | 8,936                  | 9,369  | 322         | 291  | 6.20                      | 7.45 | 13.20                      | 12.60 | 6.5    | 6.4         | M32         | T4             | 135 °C |
| 1,434.0    | 929.8   | MVE 8000/1E-86A0   | MVE 8000/12E-86A0   | 8,007                  | 7,476  | 309         | 274  | 4.60                      | 5.50 | 9.00                       | 10.00 | 6.0    | 6.2         | M32         | T4             | 135 °C |
| 1,598.0    | 1,165.2 | MVE 9000/1E-86A0   | MVE 9000/12E-86A0   | 8,923                  | 9,369  | 322         | 291  | 4.60                      | 5.50 | 9.00                       | 10.00 | 6.0    | 6.2         | M32         | T4             | 135 °C |
| 1,788.4    | 1,240.0 | MVE 10000/1E-90A0  | MVE 10000/12E-90A0  | 9,986                  | 9,970  | 374         | 348  | 6.10                      | 6.40 | 14.00                      | 12.70 | 6.6    | 6.6         | M32         | T4             | 135 °C |
| 2,329.8    | 1,647.4 | MVE 13000/1E-90A0  | MVE 13000/12E-90A0  | 13,009                 | 13,246 | 411         | 364  | 7.50                      | 8.30 | 16.40                      | 16.00 | 6.4    | 6.5         | M32         | T4             | 135 °C |
| 1,802.9    | 1,240.0 | MVE 10000/1E-91A0  | MVE 10000/12E-91A0  | 10,067                 | 9,970  | 373         | 348  | 6.40                      | 7.70 | 13.00                      | 14.50 | 6.0    | 6.0         | M32         | T4             | 135 °C |
| 2,056.9    | 1,433.0 | MVE 11400/1E-91A0  | MVE 11400/12E-91A0  | 11,485                 | 11,522 | 404         | 361  | 6.40                      | 7.70 | 13.00                      | 14.50 | 6.0    | 6.0         | M32         | T4             | 135 °C |
| 2,311.0    | 1,647.4 | MVE 13000/1E-91A0  | MVE 13000/12E-91A0  | 12,904                 | 13,246 | 411         | 364  | 8.00                      | 8.90 | 17.20                      | 18.10 | 5.6    | 6.3         | M32         | T4             | 135 °C |
| 2,253      | 1,550   | MVE 12000/1E-100A0 | MVE 12000/12E-100A0 | 12,580                 | 12,466 | 522         | 476  | 8.0                       | 9.5  | 15.0                       | 15.0  | 5.0    | 5.5         | M32         | T4             | 135 °C |
| 2,634      | 1,856   | MVE 15000/1E-105A0 | MVE 15000/12E-105A0 | 14,706                 | 14,923 | 672         | 630  | 10.1                      | 12.0 | 18.0                       | 18.0  | 5.8    | 5.8         | M32         | T4             | 135 °C |
| 3,220      | 2,147   | MVE 17500/1E-105A0 | MVE 17500/12E-105A0 | 17,980                 | 17,264 | 744         | 684  | 11.9                      | 14.2 | 21.0                       | 21.0  | 5.6    | 5.9         | M32         | T4             | 135 °C |
| 3,632      | 2,525   | MVE 19500/1E-105A0 | MVE 19500/12E-105A0 | 20,285                 | 20,299 | 768         | 728  | 12.0                      | 14.5 | 24.0                       | 24.0  | 5.4    | 5.6         | M32         | T4             | 135 °C |
| 4,067      | 2,622   | MVE 22000/1E-110A0 | MVE 22000/12E-110A0 | 22,711                 | 21,079 | 916         | 868  | 13.9                      | 17.0 | 28.0                       | 28.0  | 4.8    | 5.3         | M32         | T4             | 135 °C |
| 4,572      | 3,163   | MVE 25000/1E-110A0 | MVE 25000/12E-110A0 | 25,532                 | 25,432 | 994         | 937  | 13.9                      | 17.0 | 28.0                       | 28.0  | 4.8    | 5.3         | M32         | T4             | 135 °C |



**UP TO SIZE 60 (NOT INCLUDED)**  
60Hz masses = 50Hz masses adjusted at 70%



**ABOVE SIZE 60 (INCLUDED)**  
Specific masses for 60Hz

To convert kg into Newton:  $N = 9.81 \cdot kg$



- » II2D Ex tb IIIC Tx Db IP66
- » Equipment and protective system intended for use in potentially explosive atmospheres [Zone 21] - Directive 2014/34/UE
- » Compliance with Essential Health and Safety Requirements
- » IEC 60034-1, IEC EN 60079-0, IEC EN 60079-31



| Model              |                     | Drawing | Size | DIMENSIONAL SPECIFICATIONS (mm) |       |       |       |                                                                          |     |      |       |     |     |    |     |     |     |     |
|--------------------|---------------------|---------|------|---------------------------------|-------|-------|-------|--------------------------------------------------------------------------|-----|------|-------|-----|-----|----|-----|-----|-----|-----|
|                    |                     |         |      | C                               |       | M     |       | A                                                                        | B   | Ø G  | Holes | D   | E   | F  | H   | I   | L   | N   |
|                    |                     |         |      | 50Hz                            | 60Hz  | 50Hz  | 60Hz  |                                                                          |     |      | n°    |     |     |    |     |     |     |     |
| MVE 50/1E-30A0     | MVE 50/12E-30A0     | C       | 30A0 | 274                             |       | 52    |       | Multiple Footprint<br>80 110 11<br>90 125 13<br>124 110 11<br>135 115 11 |     |      | 4     | 150 | 173 | 15 | 79  | 150 | 166 | 134 |
| MVE 100/1E-30A0    | MVE 100/12E-30A0    | C       | 30A0 | 304                             |       | 67    |       | Multiple Footprint<br>80 110 11<br>90 125 13<br>124 110 11<br>135 115 11 |     |      | 4     | 150 | 173 | 15 | 79  | 150 | 166 | 134 |
| MVE 200/1E-40A0    | MVE 200/12E-40A0    | D1      | 40A0 | 330                             |       | 78    |       | 105                                                                      | 140 | 13   | 4     | 170 | 196 | 20 | 92  | 174 | 166 | 160 |
| MVE 300/1E-50A0    | MVE 300/12E-50A0    | D1      | 50A0 | 391                             |       | 97    |       | 120                                                                      | 170 | 17   | 4     | 208 | 210 | 22 | 96  | 185 | 192 | 170 |
| MVE 500/1E-50A0    | MVE 500/12E-50A0    | D1      | 50A0 | 455                             |       | 129   |       | 120                                                                      | 170 | 17   | 4     | 208 | 210 | 22 | 96  | 185 | 192 | 170 |
| MVE 510/1E-50A0    | MVE 510/12E-50A0    | D1      | 50A0 | 455                             |       | 129   |       | 120                                                                      | 170 | 17   | 4     | 208 | 210 | 22 | 96  | 185 | 192 | 170 |
| MVE 800/1E-60A0    | MVE 800/12E-60A0    | D1      | 60A0 | 446                             |       | 112   |       | 140                                                                      | 190 | 17   | 4     | 230 | 260 | 26 | 124 | 240 | 218 | 222 |
| MVE 1100/1E-60A0   | MVE 1100/12E-60A0   | D1      | 60A0 | 490                             | 446   | 134   | 112   | 140                                                                      | 190 | 17   | 4     | 230 | 260 | 26 | 124 | 240 | 218 | 222 |
| MVE 1500/1E-60A0   | MVE 1500/12E-60A0   | D1      | 60A0 | 566                             | 490.0 | 172   | 134   | 140                                                                      | 190 | 17   | 4     | 230 | 260 | 26 | 124 | 240 | 218 | 222 |
| MVE 1600/1E-70A0   | MVE 1600/12E-70A0   | D1      | 70A0 | 563                             | 501   | 154   | 123   | 155                                                                      | 225 | 22   | 4     | 275 | 290 | 30 | 140 | 256 | 250 | 236 |
| MVE 2100/1E-70A0   | MVE 2100/12E-70A0   | D1      | 70A0 | 623                             | 563   | 184   | 154   | 155                                                                      | 225 | 22   | 4     | 275 | 290 | 30 | 140 | 256 | 250 | 236 |
| MVE 2200/1E-70A0   | MVE 2200/12E-70A0   | D1      | 70A0 | 623                             |       | 184   |       | 155                                                                      | 225 | 22   | 4     | 275 | 290 | 30 | 140 | 256 | 250 | 236 |
| MVE 2600/1E-75A0   | MVE 2600/12E-75A0   | D1      | 75A0 | 692                             | 584   | 205   | 151   | 155                                                                      | 255 | 23.5 | 4     | 304 | 314 | 30 | 147 | 285 | 277 | 265 |
| MVE 3000/1E-75A0   | MVE 3000/12E-75A0   | D1      | 75A0 | 692                             | 584   | 205   | 151   | 155                                                                      | 255 | 23.5 | 4     | 304 | 314 | 30 | 147 | 285 | 277 | 265 |
| MVE 3700/1E-75A0   | MVE 3700/12E-75A0   | D1      | 75A0 | 734                             | 692   | 226   | 205   | 155                                                                      | 255 | 23.5 | 4     | 304 | 314 | 30 | 147 | 285 | 277 | 265 |
| MVE 3800/1E-80A0   | MVE 3800/12E-80A0   | D1      | 80A0 | 683                             | 603   | 183   | 143   | 180                                                                      | 280 | 26   | 4     | 332 | 354 | 32 | 170 | 330 | 312 | 311 |
| MVE 4700/1E-80A0   | MVE 4700/12E-80A0   | D1      | 80A0 | 733                             | 683   | 208   | 183   | 180                                                                      | 280 | 26   | 4     | 332 | 354 | 32 | 170 | 330 | 312 | 311 |
| MVE 5200/1E-85A0   | MVE 5200/12E-85A0   | D1      | 85A0 | 704                             | 624   | 170.0 | 130.0 | 200                                                                      | 320 | 28   | 4     | 385 | 402 | 40 | 203 | 394 | 360 | 378 |
| MVE 6500/1E-85A0   | MVE 6500/12E-85A0   | D1      | 85A0 | 704                             |       | 170   |       | 200                                                                      | 320 | 28   | 4     | 385 | 402 | 40 | 203 | 394 | 360 | 378 |
| MVE 8000/1E-85A0   | MVE 8000/12E-85A0   | D1      | 85A0 | 774                             | 704   | 205   | 170   | 200                                                                      | 320 | 28   | 4     | 385 | 402 | 40 | 203 | 394 | 360 | 378 |
| MVE 9000/1E-85A0   | MVE 9000/12E-85A0   | D1      | 85A0 | 774                             | 704   | 205   | 170   | 200                                                                      | 320 | 28   | 4     | 385 | 402 | 40 | 203 | 394 | 360 | 378 |
| MVE 8000/1E-86A0   | MVE 8000/12E-86A0   | D1      | 86A0 | 774                             |       | 205   |       | 200                                                                      | 320 | 28   | 4     | 385 | 402 | 40 | 203 | 394 | 360 | 378 |
| MVE 9000/1E-86A0   | MVE 9000/12E-86A0   | D1      | 86A0 | 774                             |       | 205   |       | 200                                                                      | 320 | 28   | 4     | 385 | 402 | 40 | 203 | 394 | 360 | 378 |
| MVE 10000/1E-90A0  | MVE 10000/12E-90A0  | E1      | 90A0 | 908                             | 798   | 260   | 205   | 125                                                                      | 380 | 39   | 6     | 452 | 415 | 40 | 205 | 394 | 380 | 378 |
| MVE 13000/1E-90A0  | MVE 13000/12E-90A0  | E1      | 90A0 | 948                             | 798   | 280   | 205   | 125                                                                      | 380 | 39   | 6     | 452 | 415 | 40 | 205 | 394 | 380 | 378 |
| MVE 10000/1E-91A0  | MVE 10000/12E-91A0  | E1      | 91A0 | 908                             |       | 260   |       | 125                                                                      | 380 | 39   | 6     | 452 | 415 | 40 | 205 | 394 | 380 | 378 |
| MVE 11400/1E-91A0  | MVE 11400/12E-91A0  | E1      | 91A0 | 908                             |       | 260   |       | 125                                                                      | 380 | 39   | 6     | 452 | 415 | 40 | 205 | 394 | 380 | 378 |
| MVE 13000/1E-91A0  | MVE 13000/12E-91A0  | E1      | 91A0 | 948                             |       | 280   |       | 125                                                                      | 380 | 39   | 6     | 452 | 415 | 40 | 205 | 394 | 380 | 378 |
| MVE 12000/1E-100A0 | MVE 12000/12E-100A0 | E       | 100  | 1,020                           |       | 275   |       | 140                                                                      | 440 | 45   | 6     | 530 | 484 | 37 | 232 | 446 | 470 | 424 |
| MVE 15000/1E-105A0 | MVE 15000/12E-105A0 | H       | 105  | 980                             |       | 210   |       | 140                                                                      | 480 | 45   | 8     | 570 | 542 | 48 | 268 | 510 | 560 | 490 |
| MVE 17500/1E-105A0 | MVE 17500/12E-105A0 | H       | 105  | 1,060                           |       | 250   |       | 140                                                                      | 480 | 45   | 8     | 570 | 542 | 48 | 268 | 510 | 560 | 490 |
| MVE 19500/1E-105A0 | MVE 19500/12E-105A0 | H       | 105  | 1,060                           |       | 250   |       | 140                                                                      | 480 | 45   | 8     | 570 | 542 | 48 | 268 | 510 | 560 | 490 |
| MVE 22000/1E-110A0 | MVE 22000/12E-110A0 | H       | 110  | 1,130                           |       | 285   |       | 140                                                                      | 520 | 45   | 8     | 610 | 594 | 42 | 297 | 560 | 560 | 530 |
| MVE 25000/1E-110A0 | MVE 25000/12E-110A0 | H       | 110  | 1,130                           |       | 285   |       | 140                                                                      | 520 | 45   | 8     | 610 | 594 | 42 | 297 | 560 | 560 | 530 |

NOTE: Dimensions with coarse degree of accuracy related to UNI 22768/1

This information is provided without warranty, representation, inducement or licence of any kind. It is accurate to the best OLI knowledge or is obtained from sources believed to be accurate. OLI therefore assumes no legal responsibility.



» Class II Div.2 Group F, G T4  
 » Conform to UL 1004-1, UL 1004-3, UL60079-31, UL60079-0, CSA 60079-0, CSA 60079- 31, CSA 22.2 N°100, CSA 22.2 N°77

STANDARD

INCREASED SAFETY

EXPLOSION-PROOF

HI-STROKE MILLING

# MVE STANDARD RANGE



## 8 POLES - 750/900 rpm

| Wm (Kgcm) |       | Model                |                      | Centrifugal Force (kg) |        | Weight (kg) |      | ELECTRICAL SPECIFICATIONS |             |                            |       |        |             | CERTIFICATE |                |        |
|-----------|-------|----------------------|----------------------|------------------------|--------|-------------|------|---------------------------|-------------|----------------------------|-------|--------|-------------|-------------|----------------|--------|
|           |       |                      |                      |                        |        |             |      | Input Power (kW)          |             | Nominal Current A max. (Y) |       | Ia/In  |             | Cable Gland | Class II Div.2 | II 2D  |
| 50Hz      | 60Hz  | 50Hz                 | 60Hz                 | 50Hz                   | 60Hz   | 50Hz        | 60Hz | 50Hz (400V)               | 60Hz (460V) | 50Hz                       | 60Hz  | Metric | Temp. Class | Temp. Class |                |        |
| 33.4      |       | MVE 150/075E-40A0    | MVE 150/090E-40A0    | 105                    | 151    | 21          |      | 0.23                      | 0.25        | 1.14                       | 1.14  | 1.7    | 1.7         | M20         | T4             | 135 °C |
| 56.9      |       | MVE 250/075E-50A0    | MVE 250/090E-50A0    | 179                    | 257    | 29          |      | 0.25                      | 0.30        | 0.90                       | 0.89  | 1.9    | 1.9         | M20         | T4             | 135 °C |
| 84.0      |       | MVE 400/075E-50A0    | MVE 400/090E-50A0    | 264                    | 380    | 34          |      | 0.25                      | 0.30        | 0.90                       | 0.89  | 2.1    | 2.1         | M20         | T4             | 135 °C |
| 137.3     |       | MVE 650/075E-60A0    | MVE 650/090E-60A0    | 431                    | 621    | 63          |      | 0.37                      | 0.45        | 1.20                       | 1.20  | 2.4    | 2.4         | M25         | T4             | 135 °C |
| 187.7     |       | MVE 900/075E-60A0    | MVE 900/090E-60A0    | 589                    | 849    | 70          |      | 0.55                      | 0.54        | 1.23                       | 1.29  | 2.7    | 2.7         | M25         | T4             | 135 °C |
| 299.6     |       | MVE 1300/075E-70A0   | MVE 1300/090E-70A0   | 941                    | 1,355  | 90          |      | 0.75                      | 0.90        | 2.20                       | 2.20  | 3.2    | 3.2         | M25         | T4             | 135 °C |
| 467.4     |       | MVE 2100/075E-75A0   | MVE 2100/090E-75A0   | 1,468                  | 2,114  | 150         |      | 1.00                      | 1.20        | 2.81                       | 2.89  | 4.4    | 4.3         | M32         | T4             | 135 °C |
| 680.3     |       | MVE 3100/075E-80A0   | MVE 3100/090E-80A0   | 2,137                  | 3,077  | 201         |      | 2.00                      | 2.30        | 4.50                       | 4.40  | 4.2    | 4.2         | M32         | T4             | 135 °C |
| 838.4     |       | MVE 3800/075E-80A0   | MVE 3800/090E-80A0   | 2,633                  | 3,792  | 219         |      | 2.50                      | 3.00        | 6.00                       | 6.00  | 4.1    | 4.2         | M32         | T4             | 135 °C |
| 929.7     |       | MVE 4200/075E-85A0   | MVE 4200/090E-85A0   | 2,920                  | 4,205  | 268         |      | 2.90                      | 3.40        | 6.50                       | 6.50  | 4.0    | 3.9         | M32         | T4             | 135 °C |
| 1,165.2   |       | MVE 5300/075E-85A0   | MVE 5300/090E-85A0   | 3,660                  | 5,270  | 289         |      | 3.70                      | 4.30        | 8.00                       | 8.20  | 4.0    | 4.4         | M32         | T4             | 135 °C |
| 1,435.9   |       | MVE 6500/075E-85A0   | MVE 6500/090E-85A0   | 4,510                  | 6,494  | 308         |      | 3.80                      | 4.20        | 8.78                       | 8.30  | 3.8    | 4.2         | M32         | T4             | 135 °C |
|           |       |                      |                      |                        |        |             |      | A max. (Δ)                |             |                            |       |        |             |             |                |        |
| 2,200.4   |       | MVE 10000/075E-90A0  | MVE 10000/090E-90A0  | 6,911                  | 9,952  | 422         |      | 6.80                      | 7.50        | 13.50                      | 12.50 | 3.7    | 4.4         | M32         | T4             | 135 °C |
| 2,311.0   |       | MVE 10000/075E-91A0  | MVE 10000/090E-91A0  | 7,258                  | 10,452 | 422         |      | 6.00                      | 7.00        | 14.40                      | 14.00 | 4.7    | 4.7         | M32         | T4             | 135 °C |
| 2,835     | 2,553 | MVE 12000/075E-100A0 | MVE 12000/090E-100A0 | 8,904                  | 11,546 | 571         | 553  | 7.5                       | 8.0         | 13.5                       | 13.5  | 3.8    | 4.0         | M32         | T4             | 135 °C |
| 3,713     | 3,220 | MVE 14000/075E-105A0 | MVE 14000/090E-105A0 | 11,661                 | 14,563 | 751         | 725  | 9.0                       | 10.6        | 19.0                       | 19.0  | 4.5    | 5.0         | M32         | T4             | 135 °C |
| 4,401     | 3,920 | MVE 17000/075E-105A0 | MVE 17000/090E-105A0 | 13,822                 | 17,729 | 812         | 792  | 9.1                       | 11.0        | 20.0                       | 20.0  | 5.3    | 5.8         | M32         | T4             | 135 °C |
| 5,857     | 4,999 | MVE 22000/075E-110A0 | MVE 22000/090E-110A0 | 18,395                 | 22,610 | 982         | 937  | 13.8                      | 16.5        | 28.0                       | 28.0  | 5.6    | 5.2         | M32         | T4             | 135 °C |
| -         | 5,857 | NA                   | MVE 26000/090E-110A0 | -                      | 26,489 | -           | 982  | -                         | 16.5        | -                          | 28.0  | -      | 5.2         | M32         | T4             | 135 °C |

SIZE 40A0



SIZE 50A0



SIZE 60A0



UP TO SIZE 90 (INCLUDED)  
60Hz masses = 50Hz masses adjusted at 100%



ABOVE SIZE 90 (NOT INCLUDED)  
Specific masses for 60Hz

To convert kg into Newton:  $N = 9.81 \cdot kg$



- » II2D Ex tb IIIC Tx Db IP66
- » Equipment and protective system intended for use in potentially explosive atmospheres [Zone 21] - Directive 2014/34/UE
- » Compliance with Essential Health and Safety Requirements
- » IEC 60034-1, IEC EN 60079-0, IEC EN 60079-31



DIMENSIONAL SPECIFICATIONS (mm)

| Model                |                      | Drawing | Size | DIMENSIONAL SPECIFICATIONS (mm) |           |     |     |      |       |     |     |    |     |     |     |     |
|----------------------|----------------------|---------|------|---------------------------------|-----------|-----|-----|------|-------|-----|-----|----|-----|-----|-----|-----|
| 50Hz                 | 60Hz                 |         |      | C                               | M         | A   | B   | Ø G  | Holes | D   | E   | F  | H   | I   | L   | N   |
|                      |                      |         |      | 50Hz-60Hz                       | 50Hz-60Hz |     |     |      | n°    |     |     |    |     |     |     |     |
| MVE 150/075E-40A0    | MVE 150/090E-40A0    | D1      | 40A0 | 330                             | 78        | 105 | 140 | 13   | 4     | 170 | 196 | 20 | 92  | 174 | 166 | 160 |
| MVE 250/075E-50A0    | MVE 250/090E-50A0    | D1      | 50A0 | 391                             | 97        | 120 | 170 | 17   | 4     | 208 | 210 | 22 | 96  | 185 | 192 | 170 |
| MVE 400/075E-50A0    | MVE 400/090E-50A0    | D1      | 50A0 | 455                             | 129       | 120 | 170 | 17   | 4     | 208 | 210 | 22 | 96  | 185 | 192 | 170 |
| MVE 650/075E-60A0    | MVE 650/090E-60A0    | D1      | 60A0 | 446                             | 112       | 140 | 190 | 17   | 4     | 230 | 260 | 26 | 124 | 240 | 218 | 222 |
| MVE 900/075E-60A0    | MVE 900/090E-60A0    | D1      | 60A0 | 490                             | 134       | 140 | 190 | 17   | 4     | 230 | 260 | 26 | 124 | 240 | 218 | 222 |
| MVE 1300/075E-70A0   | MVE 1300/090E-70A0   | D1      | 70A0 | 563                             | 154       | 155 | 225 | 22   | 4     | 275 | 290 | 30 | 140 | 256 | 250 | 236 |
| MVE 2100/075E-75A0   | MVE 2100/090E-75A0   | D1      | 75A0 | 692                             | 205       | 155 | 255 | 23.5 | 4     | 304 | 314 | 30 | 147 | 285 | 277 | 265 |
| MVE 3100/075E-80A0   | MVE 3100/090E-80A0   | D1      | 80A0 | 683                             | 183       | 180 | 280 | 26   | 4     | 332 | 354 | 32 | 170 | 330 | 312 | 311 |
| MVE 3800/075E-80A0   | MVE 3800/090E-80A0   | D1      | 80A0 | 733                             | 208       | 180 | 280 | 26   | 4     | 332 | 354 | 32 | 170 | 330 | 312 | 311 |
| MVE 4200/075E-85A0   | MVE 4200/090E-85A0   | D1      | 85A0 | 704                             | 170       | 200 | 320 | 28   | 4     | 385 | 402 | 40 | 203 | 394 | 360 | 378 |
| MVE 5300/075E-85A0   | MVE 5300/090E-85A0   | D1      | 85A0 | 704                             | 170       | 200 | 320 | 28   | 4     | 385 | 402 | 40 | 203 | 394 | 360 | 378 |
| MVE 6500/075E-85A0   | MVE 6500/090E-85A0   | D1      | 85A0 | 774                             | 205       | 200 | 320 | 28   | 4     | 385 | 402 | 40 | 203 | 394 | 360 | 378 |
| MVE 10000/075E-90A0  | MVE 10000/090E-90A0  | E1      | 90A0 | 948                             | 280       | 125 | 380 | 39   | 6     | 452 | 415 | 40 | 205 | 394 | 380 | 378 |
| MVE 10000/075E-91A0  | MVE 10000/090E-91A0  | E1      | 91A0 | 948                             | 280       | 125 | 380 | 39   | 6     | 452 | 415 | 40 | 205 | 394 | 380 | 378 |
| MVE 12000/075E-100A0 | MVE 12000/090E-100A0 | E       | 100  | 1,020                           | 275       | 140 | 440 | 45   | 6     | 530 | 484 | 37 | 232 | 446 | 470 | 424 |
| MVE 14000/075E-105A0 | MVE 14000/090E-105A0 | H       | 105  | 1,060                           | 250       | 140 | 480 | 45   | 8     | 570 | 542 | 48 | 268 | 510 | 560 | 490 |
| MVE 17000/075E-105A0 | MVE 17000/090E-105A0 | H       | 105  | 1,120                           | 280       | 140 | 480 | 45   | 8     | 570 | 542 | 48 | 268 | 510 | 560 | 490 |
| MVE 22000/075E-110A0 | MVE 22000/090E-110A0 | H       | 110  | 1,130                           | 285       | 140 | 520 | 45   | 8     | 610 | 594 | 42 | 297 | 560 | 560 | 530 |
| NA                   | MVE 26000/090E-110A0 | H       | 110  | 1,130                           | 285       | 140 | 520 | 45   | 8     | 610 | 594 | 42 | 297 | 560 | 560 | 530 |

Notes:

.....

.....

.....

.....

NOTE: Dimensions with coarse degree of accuracy related to UNI 22768/1

This information is provided without warranty, representation, inducement or licence of any kind. It is accurate to the best OLI knowledge or is obtained from sources believed to be accurate. OLI therefore assumes no legal responsibility.



- » Class II Div.2 Group F, G T4
- » Conform to UL 1004-1, UL 1004-3, UL60079-31, UL60079-0, CSA 60079-0, CSA 60079- 31, CSA 22.2 N°100, CSA 22.2 N°77

STANDARD

INCREASED SAFETY

EXPLOSION-PROOF

HI-STROKE MILLING

# MVE STANDARD RANGE



## 2 POLES SINGLE-PHASE – 3000/3600 rpm

| Wm (Kgcm) |      | Model             |                    | Centrifugal Force (kg) |      | Weight (kg) |      | ELECTRICAL SPECIFICATIONS |             |                       |             |             |             | CERTIFICATE |                |        |
|-----------|------|-------------------|--------------------|------------------------|------|-------------|------|---------------------------|-------------|-----------------------|-------------|-------------|-------------|-------------|----------------|--------|
|           |      |                   |                    |                        |      |             |      | Input Power (kW)          |             | Nominal Current A max |             | Cable Gland | Capacitor * |             | Class II Div.2 | II 2D  |
| 50Hz      | 60Hz | 50Hz              | 60Hz               | 50Hz                   | 60Hz | 50Hz        | 60Hz | 50Hz (230V)               | 60Hz (115V) | Metric                | 50Hz (230V) | 60Hz (115V) | Temp. Class | Temp. Class |                |        |
| 1.3       | 1.0  | MVE 60/3E-10A0-M  | MVE 60/36E-10A0-M  | 66                     | 71   | 4           |      | 0.08                      | 0.09        | 0.43                  | 1.03        | M16         | 3.0         | 6.3         | T4             | 100 °C |
| 2.0       | 1.3  | MVE 100/3E-10A0-M | MVE 100/36E-10A0-M | 98                     | 95   | 5           |      | 0.10                      | 0.11        | 0.54                  | 1.30        | M16         | 4.0         | 8.0         | T4             | 100 °C |
| 3.7       | 2.6  | MVE 200/3E-20A0-M | MVE 200/36E-20A0-M | 187                    | 189  | 7           |      | 0.18                      | 0.21        | 1.14                  | 2.62        | M20         | 8.0         | 16.0        | T4             | 100 °C |
| 3.7       | 2.6  | MVE 200/3E-23A0-M | MVE 200/36E-23A0-M | 187                    | 189  | 7           |      | 0.18                      | 0.21        | 1.14                  | 2.62        | M20         | 8.0         | 16.0        | T4             | 100 °C |
| 6.4       | 4.5  | MVE 300/3E-30A0-M | MVE 300/36E-30A0-M | 321                    | 323  | 10          |      | 0.27                      | 0.28        | 1.58                  | 3.43        | M20         | 12.5        | 25.0        | T4             | 100 °C |

\* NOTE: Capacitor not supplied with vibrator (to be ordered separately)

SIZE 10A0



SIZE 20A0



SIZE 30A0



To convert kg into Newton:  $N = 9.81 \cdot kg$



- » II 2D Ex tb IIIC Tx Db IP66
- » Equipment and protective system intended for use in potentially explosive atmospheres (Zone 21) - Directive 2014/34/UE
- » Compliance with Essential Health and Safety Requirements
- » IEC 60034-1, IEC EN 60079-0, IEC EN 60079-31



| Model             |                    | Drawing | Size | DIMENSIONAL SPECIFICATIONS (mm) |      |      |      |                                                                            |     |     |       |     |     |    |    |     |     |     |
|-------------------|--------------------|---------|------|---------------------------------|------|------|------|----------------------------------------------------------------------------|-----|-----|-------|-----|-----|----|----|-----|-----|-----|
|                   |                    |         |      | C                               |      | M    |      | A                                                                          | B   | Ø G | Holes | D   | E   | F  | H  | I   | L   | N   |
| 50Hz              | 60Hz               |         |      | 50Hz                            | 60Hz | 50Hz | 60Hz |                                                                            |     |     | n°    |     |     |    |    |     |     |     |
| MVE 60/3E-10A0-M  | MVE 60/36E-10A0-M  | A1      | 10A0 | 213                             |      | 45   |      | Multiple Footprint<br>62-74 106 9<br>33 83-102 7                           |     |     | 4     | 130 | 135 | 11 | 50 | 96  | 107 | 85  |
| MVE 100/3E-10A0-M | MVE 100/36E-10A0-M | A1      | 10A0 | 213                             |      | 45   |      | Multiple Footprint<br>62-74 106 9<br>33 83-102 7                           |     |     | 4     | 130 | 135 | 11 | 50 | 96  | 107 | 85  |
| MVE 200/3E-20A0-M | MVE 200/36E-20A0-M | B1      | 20A0 | 233                             |      | 54   |      | 62-74                                                                      | 106 | 9   | 4     | 130 | 154 | 15 | 65 | 125 | 120 | 112 |
| MVE 200/3E-23A0-M | MVE 200/36E-23A0-M | G       | 23A0 | 222                             |      | 55   |      | Multiple Footprint<br>62-74 106 9<br>65 140 13<br>115 135 11<br>135 115 11 |     |     | 4     | 164 | 140 | 25 | 82 | 116 | 159 | 110 |
| MVE 300/3E-30A0-M | MVE 300/36E-30A0-M | C1      | 30A0 | 254                             |      | 42   |      | Multiple Footprint<br>80 110 11<br>90 125 13<br>124 110 11<br>135 115 11   |     |     | 4     | 154 | 173 | 15 | 79 | 150 | 166 | 134 |

STANDARD

INCREASED SAFETY

EXPLOSION-PROOF

HI-STROKE MILLING

Notes:

.....

.....

.....

.....

NOTE: Dimensions with coarse degree of accuracy related to UNI 22768/1

This information is provided without warranty, representation, inducement or licence of any kind. It is accurate to the best OLI knowledge or is obtained from sources believed to be accurate. OLI therefore assumes no legal responsibility.



» Class II Div.2 Group F, G T4  
 » Conform to UL 1004-1, UL 1004-3, UL60079-31, UL60079-0, CSA 60079-0, CSA 60079- 31, CSA 22.2 N°100, CSA 22.2 N°77



# MVE STANDARD RANGE



## MVE-MICRO - 3000/3600 rpm

### THREE-PHASE

| Wm (kgcm) |      | Model           |                  | Centrifugal Force (kg) |      | Weight (kg) |      | ELECTRICAL SPECIFICATIONS |             |                       |        |                | CERTIFICATE |          |          |
|-----------|------|-----------------|------------------|------------------------|------|-------------|------|---------------------------|-------------|-----------------------|--------|----------------|-------------|----------|----------|
|           |      |                 |                  |                        |      |             |      | Input Power (kW)          |             | Nominal Current A max |        |                | Cable Gland | For 60Hz | For 50Hz |
| 50Hz      | 60Hz | 50Hz            | 60Hz             | 50Hz                   | 60Hz | 50Hz        | 60Hz | 50Hz (230V)               | 50Hz (400V) | 60Hz (460V)           | Metric | Class II Div.2 |             | II3D     |          |
|           |      |                 |                  |                        |      |             |      |                           |             |                       |        | Temp. Class    | Temp. Class |          |          |
| 0.4       | 0.4  | MVE 21/3E-MICRO | MVE 21/36E-MICRO | 20                     | 29   | 2           |      | 0.04                      | 0.04        | 0.21                  | 0.12   | 0.12           | M16         | T4       | 100 °C   |
| 0.9       | 0.9  | MVE 41/3E-MICRO | MVE41/36E-MICRO  | 45                     | 65   | 2           |      | 0.06                      | 0.06        | 0.30                  | 0.18   | 0.18           | M16         | T4       | 100 °C   |

### SINGLE-PHASE

| Wm (kgcm) |      | Model             |                    | Centrifugal Force (kg) |      | Weight (kg) |      | ELECTRICAL SPECIFICATIONS |             |                       |                |               | CERTIFICATE |             |
|-----------|------|-------------------|--------------------|------------------------|------|-------------|------|---------------------------|-------------|-----------------------|----------------|---------------|-------------|-------------|
|           |      |                   |                    |                        |      |             |      | Input Power (kW)          |             | Nominal Current A max |                | Cable Gland * | For 60Hz    | For 50Hz    |
| 50Hz      | 60Hz | 50Hz              | 60Hz               | 50Hz                   | 60Hz | 50Hz        | 60Hz | 50Hz (230V)               | 60Hz (115V) | Metric                | Class II Div.2 |               | II3D        |             |
|           |      |                   |                    |                        |      |             |      |                           |             |                       |                |               | Temp. Class | Temp. Class |
| 0.1       | 0.1  | MVE 3/3E-MICRO-M  | MVE 3/36E-MICRO-M  | 4                      | 6    | 1.6         |      | 0.03                      | 0.04        | 0.30                  | 0.80           | M16           | T4          | 100 °C      |
| 0.1       | 0.1  | MVE 6/3E-MICRO-M  | MVE 6/36E-MICRO-M  | 6                      | 9    | 1.6         |      | 0.03                      | 0.04        | 0.30                  | 0.80           | M16           | T4          | 100 °C      |
| 0.4       | 0.4  | MVE 21/3E-MICRO-M | MVE 21/36E-MICRO-M | 20                     | 29   | 2           |      | 0.04                      | 0.07        | 0.20                  | 0.80           | M16           | T4          | 100 °C      |
| 0.9       | 0.9  | MVE 41/3E-MICRO-M | MVE 41/36E-MICRO-M | 45                     | 65   | 2.4         |      | 0.05                      | 0.07        | 0.25                  | 0.80           | M16           | T4          | 100 °C      |

MICRO

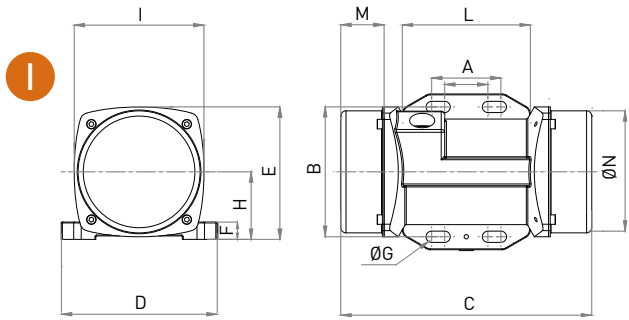
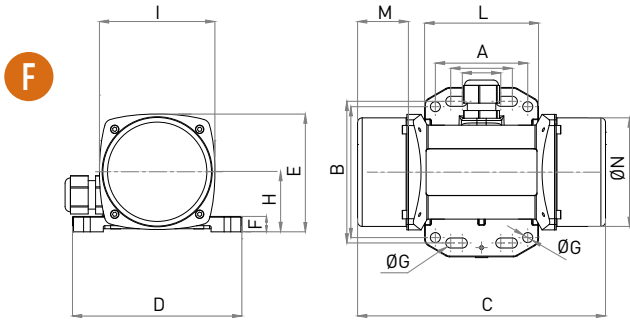


NOTE: Capacitor integrated in the cable

To convert kg into Newton:  $N = 9.81 \cdot kg$



- » II2D Ex tb IIIC Tx Db IP66
- » Equipment and protective system intended for use in potentially explosive atmospheres (Zone 21) - Directive 2014/34/UE
- » Compliance with Essential Health and Safety Requirements
- » IEC 60034-1, IEC EN 60079-0, IEC EN 60079-31



| Model           |                  | Drawing | DIMENSIONAL SPECIFICATIONS (mm) |      |                    |    |     |       |     |    |    |    |    |    |    |
|-----------------|------------------|---------|---------------------------------|------|--------------------|----|-----|-------|-----|----|----|----|----|----|----|
|                 |                  |         | C                               | M    | A                  | B  | Ø G | Holes | D   | E  | F  | H  | I  | L  | N  |
| 50Hz            | 60Hz             |         | 50Hz                            | 50Hz |                    |    |     |       |     |    |    |    |    |    |    |
| MVE 21/3E-MICRO | MVE21/36E-MICRO  | F       | 145                             | 25   | Multiple Footprint |    |     | 4     | 110 | 76 | 10 | 39 | 75 | 74 | 70 |
|                 |                  |         |                                 |      | 25-40              | 92 | 6.5 |       |     |    |    |    |    |    |    |
|                 |                  |         |                                 |      | 60                 | 85 | 6.5 |       |     |    |    |    |    |    |    |
| MVE 41/3E-MICRO | MVE 41/36E-MICRO | F       | 161                             | 33   | Multiple Footprint |    |     | 4     | 110 | 76 | 10 | 39 | 75 | 74 | 70 |
|                 |                  |         |                                 |      | 25-40              | 92 | 6.5 |       |     |    |    |    |    |    |    |
|                 |                  |         |                                 |      | 60                 | 85 | 6.5 |       |     |    |    |    |    |    |    |

| Model             |                    | Drawing | DIMENSIONAL SPECIFICATIONS (mm) |      |                    |    |     |       |     |    |    |    |    |    |    |
|-------------------|--------------------|---------|---------------------------------|------|--------------------|----|-----|-------|-----|----|----|----|----|----|----|
|                   |                    |         | C                               | M    | A                  | B  | Ø G | Holes | D   | E  | F  | H  | I  | L  | N  |
| 50Hz              | 60Hz               |         | 50Hz                            | 50Hz |                    |    |     |       |     |    |    |    |    |    |    |
| MVE 3/3E-MICRO-M  | MVE 3/36E-MICRO-M  | F       | 145                             | 25   | Multiple Footprint |    |     | 4     | 110 | 76 | 10 | 39 | 75 | 74 | 70 |
|                   |                    |         |                                 |      | 25-40              | 92 | 6.5 |       |     |    |    |    |    |    |    |
|                   |                    |         |                                 |      | 60                 | 85 | 6.5 |       |     |    |    |    |    |    |    |
| MVE 6/3E-MICRO-M  | MVE 6/36E-MICRO-M  | I       | 145                             | 25   | Multiple Footprint |    |     | 4     | 90  | 76 | 10 | 39 | 75 | 74 | 70 |
|                   |                    |         |                                 |      | 25-40              | 75 | 6.5 |       |     |    |    |    |    |    |    |
|                   |                    |         |                                 |      | -                  | -  | -   |       |     |    |    |    |    |    |    |
| MVE 21/3E-MICRO-M | MVE 21/36E-MICRO-M | F       | 145                             | 25   | Multiple Footprint |    |     | 4     | 110 | 76 | 10 | 39 | 75 | 74 | 70 |
|                   |                    |         |                                 |      | 25-40              | 92 | 6.5 |       |     |    |    |    |    |    |    |
|                   |                    |         |                                 |      | 60                 | 85 | 6.5 |       |     |    |    |    |    |    |    |
| MVE 41/3E-MICRO-M | MVE 41/36E-MICRO-M | F       | 161                             | 25   | Multiple Footprint |    |     | 4     | 110 | 76 | 10 | 39 | 75 | 74 | 70 |
|                   |                    |         |                                 |      | 25-40              | 92 | 6.5 |       |     |    |    |    |    |    |    |
|                   |                    |         |                                 |      | 60                 | 85 | 6.5 |       |     |    |    |    |    |    |    |

Notes:

.....

.....

.....

.....

NOTE: Dimensions with coarse degree of accuracy related to UNI 22768/1

This information is provided without warranty, representation, inducement or licence of any kind. It is accurate to the best OLI knowledge or is obtained from sources believed to be accurate. OLI therefore assumes no legal responsibility.



» Class II Div.2 Group F, G T4  
 » Conform to UL 1004-1, UL 1004-3, UL60079-31, UL60079-0, CSA 60079-0, CSA 60079- 31, CSA 22.2 N°100, CSA 22.2 N°77

STANDARD

EXPLOSION-PROOF


HI-STROKE MILLING



# MVE STANDARD RANGE



## MVE-DC DIRECT CURRENT - 3000 rpm

| Wm (kgcm) | Model                | rpm   | Centrifugal Force (kg) | Weight (kg) | ELECTRICAL SPECIFICATIONS |                       |             | CERTIFICATE                                                                              |
|-----------|----------------------|-------|------------------------|-------------|---------------------------|-----------------------|-------------|------------------------------------------------------------------------------------------|
|           |                      |       |                        |             | Input Power (kW)          | Nominal Current A max | Cable Gland |  II3D |
| 1.0       | MVE 50/3N-10A0-12V   | 3,000 | 50                     | 4.4         | 0.08                      | 6.60                  | M16         | 100 °C                                                                                   |
| 1.0       | MVE 50/3N-10A0-24V   | 3,000 | 50                     | 4.4         | 0.08                      | 3.30                  | M16         | 100 °C                                                                                   |
| 1.1       | MVE 120/3N-23A0-12V  | 3,000 | 117                    | 7.2         | 0.12                      | 9.50                  | M20         | 100 °C                                                                                   |
| 1.1       | MVE 120/3N-23A0-24V  | 3,000 | 117                    | 7.2         | 0.12                      | 4.80                  | M20         | 100 °C                                                                                   |
| 4.2       | MVE 202/3N-23A0-12V  | 3,000 | 200                    | 7.2         | 0.16                      | 13.30                 | M20         | 100 °C                                                                                   |
| 4.2       | MVE 202/3N-23A0-24V  | 3,000 | 200                    | 7.2         | 0.16                      | 6.70                  | M20         | 100 °C                                                                                   |
| 10.4      | MVE 500/3N-40A0-24V  | 3,000 | 530                    | 15.8        | 0.26                      | 11.00                 | M20         | 100 °C                                                                                   |
| 22.4      | MVE 1500/3N-50A0-24V | 3,000 | 1,616                  | 21.6        | 0.52                      | 21.50                 | M20         | 100 °C                                                                                   |

SIZE 23A0



SIZE 40A0



SIZE 50A0



To convert kg into Newton:  $N = 9.81 \cdot kg$



- » II3D Ex tc IIIC Tx IP66
- » Equipment and protective system intended for use in potentially explosive atmospheres (Zone 22) - Directive 2014/34/UE
- » Compliance with Essential Health and Safety Requirements
- » IEC EN 60079-0, IEC EN 60079-31



| Model                | Drawing | Size | DIMENSIONAL SPECIFICATIONS (mm) |    |                    |     |     |       |     |     |    |    |     |     |     |
|----------------------|---------|------|---------------------------------|----|--------------------|-----|-----|-------|-----|-----|----|----|-----|-----|-----|
|                      |         |      | C                               | M  | A                  | B   | Ø G | Holes | D   | E   | F  | H  | I   | L   | N   |
|                      |         |      |                                 |    |                    |     |     | N°    |     |     |    |    |     |     |     |
| MVE 50/3N-10A0-12V   | A       | 10A0 | 211                             | 45 | Multiple Footprint |     |     | 4     | 130 | 136 | 12 | 48 | 94  | 121 | 85  |
| MVE 50/3N-10A0-24V   | A       | 10A0 | 211                             | 45 | 62-74              | 106 | 9   |       |     |     |    |    |     |     |     |
| MVE 120/3N-23A0-12V  | G       | 23A0 | 218                             | 53 | Multiple Footprint |     |     | 4     | 164 | 140 | 25 | 82 | 116 | 159 | 110 |
| MVE 120/3N-23A0-24V  | G       | 23A0 | 218                             | 53 | 62-74              | 106 | 9   |       |     |     |    |    |     |     |     |
| MVE 202/3N-23A0-12V  | G       | 23A0 | 218                             | 53 | Multiple Footprint |     |     | 4     | 164 | 140 | 25 | 82 | 116 | 159 | 110 |
| MVE 202/3N-23A0-24V  | G       | 23A0 | 218                             | 53 | 115                | 135 | 11  |       |     |     |    |    |     |     |     |
| MVE 500/3N-40A0-24V  | D1      | 40A0 | 330                             | 78 | 105                | 140 | 13  | 4     | 170 | 195 | 15 | 92 | 174 | 166 | 160 |
| MVE 1500/3N-50A0-24V | D1      | 50A0 | 321                             | 62 | 120                | 170 | 18  | 4     | 208 | 209 | 18 | 96 | 184 | 198 | 169 |

STANDARD

INCREASED SAFETY

EXPLOSION-PROOF

HI-STROKE MILLING

**Notes:**

.....

.....

.....

.....

NOTE: Dimensions with coarse degree of accuracy related to UNI 22768/1

This information is provided without warranty, representation, inducement or licence of any kind. It is accurate to the best OLI knowledge or is obtained from sources believed to be accurate. OLI therefore assumes no legal responsibility.

# MVE-Exe INCREASED SAFETY



## 2 POLES - 3000/3600 rpm

| Wm (kgcm) |      | Model            |                   | Centrifugal Force (kg) |       | Weight (kg) |           | ELECTRICAL SPECIFICATIONS |       |                            |             |       |      | CERTIFICATE |      |                |             |             |
|-----------|------|------------------|-------------------|------------------------|-------|-------------|-----------|---------------------------|-------|----------------------------|-------------|-------|------|-------------|------|----------------|-------------|-------------|
|           |      |                  |                   |                        |       |             |           | Input Power (kW)          |       | Nominal Current A max. (Y) |             | Ia/In |      | Cable Gland | Ex e | Class II Div.2 | II 2G       | II 2D       |
|           |      |                  |                   |                        |       |             |           | 50 Hz                     | 60 Hz | 50Hz (400V)                | 60Hz (460V) | 50Hz  | 60Hz | Metric      | tE   | Temp. Class    | Temp. Class | Temp. Class |
| 3.7       | 2.6  | MVE 200/3X-20A0  | MVE 200/36X-20A0  | 187                    | 189   | 50Hz (Kg)   | 60Hz (Kg) | 0.15                      | 0.18  | 0.35                       | 0.30        | 3.    | 3.5  | M20         | 5    | T4             | T3          | 100 °C      |
| 3.7       | 2.6  | MVE 200/3X-23A0  | MVE 200/36X-23A0  | 187                    | 189   | 7           | 7         | 0.15                      | 0.18  | 0.35                       | 0.30        | 3.5   | 3.5  | M20         | 5    | T4             | T3          | 100 °C      |
| 6.4       | 4.5  | MVE 300/3X-30A0  | MVE 300/36X-30A0  | 321                    | 323   | 10          | 10        | 0.25                      | 0.28  | 0.52                       | 0.45        | 3.8   | 3.7  | M20         | 5    | T4             | T3          | 100 °C      |
| 8.0       | 5.7  | MVE 400/3X-30A0  | MVE 400/36X-30A0  | 407                    | 411   | 10          | 10        | 0.27                      | 0.33  | 0.58                       | 0.60        | 3.7   | 3.7  | M20         | 5    | T4             | T3          | 100 °C      |
| 10.3      | 7.4  | MVE 500/3X-40A0  | MVE 500/36X-40A0  | 530                    | 534   | 16          | 16        | 0.50                      | 0.58  | 0.96                       | 0.97        | 4.2   | 4.4  | M20         | 5    | T4             | T3          | 135 °C      |
| 14.9      | 10.6 | MVE 700/3X-40A0  | MVE 700/36X-40A0  | 758                    | 765   | 17          | 17        | 0.59                      | 0.61  | 1.25                       | 1.24        | 4.5   | 5.2  | M20         | 5    | T4             | T3          | 135 °C      |
| 15.7      | 11.1 | MVE 800/3X-50A0  | MVE 800/36X-50A0  | 794                    | 800   | 20          | 20        | 0.70                      | 0.84  | 1.45                       | 1.50        | 4.0   | 4.0  | M20         | 5    | T4             | T3          | 135 °C      |
| 20.3      | 14.0 | MVE 1200/3X-50A0 | MVE 1200/36X-50A0 | 1,005                  | 1,013 | 21          | 21        | 0.95                      | 1.15  | 1.85                       | 1.95        | 4.6   | 4.7  | M20         | 5    | T4             | T3          | 135 °C      |
| 26.6      | 18.6 | MVE 1300/3X-50A0 | MVE 1300/36X-50A0 | 1,355                  | 1,365 | 22          | 22        | 1.30                      | 1.38  | 2.44                       | 2.25        | 5.4   | 5.2  | M20         | 5    | T4             | T3          | 135 °C      |
| 26.6      | 18.6 | MVE 1300/3X-51A0 | MVE 1300/36X-51A0 | 1,355                  | 1,365 | 22          | 22        | 1.30                      | 1.38  | 2.44                       | 2.25        | 5.4   | 5.2  | M20         | 5    | T4             | T3          | 135 °C      |
| 31.3      | 22.2 | MVE 1600/3X-60A0 | MVE 1600/36X-60A0 | 1,601                  | 1,608 | 51          | 50        | 1.54                      | 1.60  | 2.94                       | 2.61        | 6.1   | 6.4  | M25         | 5    | T4             | T3          | 135 °C      |
| 36.8      | 27.6 | MVE 2000/3X-60A0 | MVE 2000/36X-60A0 | 2,027                  | 1,997 | 52          | 50        | 2.10                      | 2.10  | 3.75                       | 3.42        | 6.7   | 6.6  | M25         | 5    | T4             | T3          | 135 °C      |
| 46.0      | 31.9 | MVE 2300/3X-60A0 | MVE 2300/36X-60A0 | 2,302                  | 2,306 | 53          | 51        | 2.40                      | 2.45  | 4.44                       | 3.45        | 6.2   | 6.5  | M25         | 5    | T4             | T3          | 135 °C      |
| 68.1      | 43.9 | MVE 3200/3X-75A1 | MVE 3200/36X-75A1 | 3,252                  | 3,176 | 103         | 101       | 2.76                      | 2.90  | 5.30                       | 4.61        | 8.5   | 8.4  | M32         | 5    | T4             | T3          | 135 °C      |
| 79.4      | 56.0 | MVE 4000/3X-75A1 | MVE 4000/36X-75A1 | 4,033                  | 4,052 | 107         | 104       | 2.90                      | 2.90  | 5.30                       | 4.61        | 8.7   | 9.9  | M32         | 5    | T4             | T3          | 135 °C      |

SIZE 40A0



SIZE 50A0



SIZE 60A0



UP TO SIZE 60 (NOT INCLUDED)  
60Hz masses = 50Hz masses adjusted at 70%

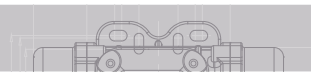


ABOVE SIZE 60 (INCLUDED)  
Specific masses for 60Hz

To convert kg into Newton:  $N = 9.81 \cdot kg$



- » II 2D Ex tb IIIC Tx Db IP66
- » II 2G Ex eb IIC T3 Gb
- » Equipment and protective system intended for use in potentially explosive atmospheres (Zone 21 - Zone 1) - Directive 2014/34/UE
- » Compliance with Essential Health and Safety Requirements
- » IEC 60034-1, IEC EN 60079-0, IEC EN 60079-31, IEC EN 60079-7



| Model            |                   | Drawing | Size | DIMENSIONAL SPECIFICATIONS (mm) |     |                                                                            |     |    |   |     |       |    |     |     |     |     |
|------------------|-------------------|---------|------|---------------------------------|-----|----------------------------------------------------------------------------|-----|----|---|-----|-------|----|-----|-----|-----|-----|
|                  |                   |         |      | C                               |     | M                                                                          |     | A  | B | Ø G | Holes | D  | E   | F   | H   | I   |
| 50Hz             | 60Hz              | 50Hz    | 60Hz | n°                              |     |                                                                            |     |    |   |     |       |    |     |     |     |     |
| MVE 200/3X-20A0  | MVE 200/36X-20A0  | B1      | 20A0 | 233                             | 54  | 62-74                                                                      | 106 | 9  | 4 | 130 | 154   | 15 | 65  | 125 | 120 | 112 |
| MVE 200/3X-23A0  | MVE 200/36X-23A0  | G       | 23A0 | 222                             | 55  | Multiple Footprint<br>62-74 106 9<br>65 140 13<br>115 135 11<br>135 115 11 |     |    | 4 | 164 | 140   | 25 | 82  | 116 | 159 | 110 |
| MVE 300/3X-30A0  | MVE 300/36X-30A0  | C1      | 30A0 | 254                             | 42  | Multiple Footprint<br>80 110 11<br>90 125 13<br>124 110 11<br>135 115 11   |     |    | 4 | 150 | 173   | 15 | 79  | 150 | 166 | 134 |
| MVE 400/3X-30A0  | MVE 400/36X-30A0  | C1      | 30A0 | 274                             | 52  | Multiple Footprint<br>80 110 11<br>90 125 13<br>124 110 11<br>135 115 11   |     |    | 4 | 150 | 173   | 15 | 79  | 150 | 166 | 134 |
| MVE 500/3X-40A0  | MVE 500/36X-40A0  | D1      | 40A0 | 330                             | 78  | 105                                                                        | 140 | 13 | 4 | 170 | 196   | 20 | 92  | 169 | 166 | 158 |
| MVE 700/3X-40A0  | MVE 700/36X-40A0  | D1      | 40A0 | 330                             | 78  | 105                                                                        | 140 | 13 | 4 | 170 | 196   | 20 | 92  | 169 | 166 | 158 |
| MVE 800/3X-50A0  | MVE 800/36X-50A0  | D1      | 50A0 | 321                             | 62  | 120                                                                        | 170 | 17 | 4 | 208 | 210   | 22 | 96  | 185 | 192 | 170 |
| MVE 1200/3X-50A0 | MVE 1200/36X-50A0 | D1      | 50A0 | 321                             | 62  | 120                                                                        | 170 | 17 | 4 | 208 | 210   | 22 | 96  | 185 | 192 | 170 |
| MVE 1300/3X-50A0 | MVE 1300/36X-50A0 | D1      | 50A0 | 321                             | 62  | 120                                                                        | 170 | 17 | 4 | 208 | 210   | 22 | 96  | 185 | 192 | 170 |
| MVE 1300/3X-51A0 | MVE 1300/36X-51A0 | D1      | 51A0 | 310                             | 55  | 120                                                                        | 170 | 17 | 4 | 208 | 220   | 25 | 105 | 203 | 192 | 187 |
| MVE 1600/3X-60A0 | MVE 1600/36X-60A0 | D1      | 60A0 | 402                             | 90  | 140                                                                        | 190 | 17 | 4 | 230 | 260   | 26 | 124 | 240 | 218 | 222 |
| MVE 2000/3X-60A0 | MVE 2000/36X-60A0 | D1      | 60A0 | 402                             | 90  | 140                                                                        | 190 | 17 | 4 | 230 | 260   | 26 | 124 | 240 | 218 | 222 |
| MVE 2300/3X-60A0 | MVE 2300/36X-60A0 | D1      | 60A0 | 402                             | 90  | 140                                                                        | 190 | 17 | 4 | 230 | 260   | 26 | 124 | 240 | 218 | 222 |
| MVE 3200/3X-75A1 | MVE 3200/36X-75A1 | D1      | 75A1 | 516                             | 117 | 155                                                                        | 255 | 25 | 4 | 304 | 314   | 30 | 147 | 285 | 277 | 265 |
| MVE 4000/3X-75A1 | MVE 4000/36X-75A1 | D1      | 75A1 | 516                             | 117 | 155                                                                        | 255 | 25 | 4 | 304 | 314   | 30 | 147 | 285 | 277 | 265 |

STANDARD

INCREASED SAFETY

EXPLOSION-PROOF

HI-STROKE MILLING

Notes:

.....

.....

.....

.....

NOTE: Dimensions with coarse degree of accuracy related to UNI 22768/1

This information is provided without warranty, representation, inducement or licence of any kind. It is accurate to the best OLI knowledge or is obtained from sources believed to be accurate. OLI therefore assumes no legal responsibility.



- » Class I, Div.2 Group A, B, C, D T3
- » Class II Div.2 Group F, G T4
- » Conform to UL 1004-1, UL 1004-3, UL 60079-31, UL 60079-0, CSA 60079-0, CSA 60079-31, CSA 22.2 N°100, CSA 22.2 N°77, CSA 22.2 N°60079-7

# MVE-Exe INCREASED SAFETY



## 4 POLES - 1500/1800 rpm

| Wm (kgcm) |       | Model              |                    | Centrifugal Force (kg) |        | Weight (kg) |      | ELECTRICAL SPECIFICATIONS |      |                            |             |         |      | CERTIFICATE |      |                |             |             |
|-----------|-------|--------------------|--------------------|------------------------|--------|-------------|------|---------------------------|------|----------------------------|-------------|---------|------|-------------|------|----------------|-------------|-------------|
|           |       |                    |                    |                        |        |             |      | Input Power (kW)          |      | Nominal Current A max. (Y) |             | Ia / In |      | Cable Gland | Ex e | Class II Div.2 | II 2G       | II 2D       |
| 50Hz      | 60Hz  | 50Hz               | 60Hz               | 50Hz                   | 60Hz   | 50Hz        | 60Hz | 50Hz                      | 60Hz | 50Hz (400V)                | 60Hz (460V) | 50Hz    | 60Hz | Metric      | tE   | Temp. Class    | Temp. Class | Temp. Class |
| 15.4      | 10.8  | MVE 200/15X-30A0   | MVE 200/18X-30A0   | 194                    | 196    | 12          |      | 0.12                      | 0.15 | 0.49                       | 0.50        | 2.2     | 2.2  | M20         | 5    | T4             | T3          | 100 °C      |
| 33.4      | 23.4  | MVE 400/15X-40A0   | MVE 400/18X-40A0   | 420                    | 423    | 20          |      | 0.27                      | 0.32 | 0.84                       | 0.86        | 2.7     | 2.7  | M20         | 5    | T4             | T3          | 135 °C      |
| 40.1      | 28.1  | MVE 500/15X-40A0   | MVE 500/18X-40A0   | 504                    | 508    | 21          |      | 0.35                      | 0.40 | 1.06                       | 1.09        | 3.0     | 2.9  | M20         | 5    | T4             | T3          | 135 °C      |
| 26.6      | 18.6  | MVE 300/15X-50A0   | MVE 300/18X-50A0   | 334                    | 336    | 22          |      | 0.62                      | 0.73 | 1.32                       | 1.20        | 3.2     | 3.4  | M20         | 5    | T4             | T3          | 135 °C      |
| 26.6      | 18.6  | MVE 300/15X-51A0   | MVE 300/18X-51A0   | 334                    | 336    | 22          |      | 0.62                      | 0.73 | 1.32                       | 1.20        | 3.2     | 3.4  | M20         | 5    | T4             | T3          | 135 °C      |
| 56.8      | 39.4  | MVE 700/15X-50A0   | MVE 700/18X-50A0   | 714                    | 712    | 27          |      | 0.62                      | 0.73 | 1.32                       | 1.20        | 3.2     | 3.4  | M20         | 5    | T4             | T3          | 135 °C      |
| 56.8      | 39.4  | MVE 710/15X-50A0   | MVE 710/18X-50A0   | 714                    | 712    | 27          |      | 0.62                      | 0.73 | 1.32                       | 1.20        | 3.2     | 3.4  | M20         | 5    | T4             | T3          | 135 °C      |
| 75.6      | 52.9  | MVE 950/15X-50A0   | MVE 950/18X-50A0   | 950                    | 957    | 33          |      | 0.64                      | 0.77 | 1.40                       | 1.35        | 4.2     | 4.2  | M20         | 5    | T4             | T3          | 135 °C      |
| 88.7      | 62.0  | MVE 1100/15X-50A0  | MVE 1100/18X-50A0  | 1,114                  | 1,122  | 36          |      | 0.64                      | 0.77 | 1.40                       | 1.35        | 4.0     | 4.0  | M20         | 5    | T4             | T3          | 135 °C      |
| 87.7      | 61.4  | MVE 1100/15X-51A0  | MVE 1100/18X-51A0  | 1,102                  | 1,110  | 48          |      | 0.64                      | 0.77 | 1.40                       | 1.35        | 4.0     | 4.0  | M20         | 5    | T4             | T3          | 135 °C      |
| 108.6     | 76.7  | MVE 1400/15X-60A0  | MVE 1400/18X-60A0  | 1,364                  | 1,388  | 63          | 60   | 0.70                      | 0.84 | 1.78                       | 1.78        | 4.2     | 4.2  | M25         | 5    | T4             | T3          | 135 °C      |
| 137.3     | 92.0  | MVE 1700/15X-60A0  | MVE 1700/18X-60A0  | 1,725                  | 1,664  | 62          | 59   | 1.13                      | 1.30 | 2.16                       | 2.09        | 4.9     | 4.7  | M25         | 5    | T4             | T3          | 135 °C      |
| 187.7     | 137.4 | MVE 2400/15X-60A0  | MVE 2400/18X-60A0  | 2,358                  | 2,485  | 68          | 62   | 1.57                      | 1.88 | 3.20                       | 3.20        | 5.1     | 5.1  | M25         | 5    | T4             | T3          | 135 °C      |
| 203.5     | 135.6 | MVE 2500/15X-70A0  | MVE 2500/18X-70A0  | 2,557                  | 2,454  | 80          | 74   | 1.76                      | 2.00 | 3.08                       | 3.00        | 6.2     | 6.3  | M25         | 5    | T4             | T3          | 135 °C      |
| 248.7     | 169.8 | MVE 3000/15X-70A0  | MVE 3000/18X-70A0  | 3,124                  | 3,071  | 80          | 74   | 1.90                      | 2.30 | 3.68                       | 3.30        | 6.7     | 6.8  | M25         | 5    | T4             | T3          | 135 °C      |
| 306.7     | 204.7 | MVE 3800/15X-75A0  | MVE 3800/18X-75A0  | 3,853                  | 3,704  | 146         |      | 2.20                      | 2.60 | 4.15                       | 4.15        | 7.0     | 7.0  | M32         | 5    | T4             | T3          | 135 °C      |
| 343.2     | 240.9 | MVE 4300/15X-75A0  | MVE 4300/18X-75A0  | 4,312                  | 4,359  | 136         | 125  | 2.50                      | 3.00 | 4.50                       | 4.60        | 7.2     | 7.4  | M32         | 5    | T4             | T3          | 135 °C      |
| 437.4     | 303.7 | MVE 5500/15X-80A0  | MVE 5500/18X-80A0  | 5,495                  | 5,495  | 181         | 169  | 2.88                      | 3.45 | 6.50                       | 5.50        | 7.3     | 7.2  | M32         | 5    | T4             | T3          | 135 °C      |
|           |       |                    |                    |                        |        |             |      | <b>A max. (Δ)</b>         |      |                            |             |         |      |             |      |                |             |             |
| 576.8     | 397.3 | MVE 7200/15X-85A0  | MVE 7200/18X-85A0  | 7,246                  | 7,188  | 237         | 231  | 4.00                      | 4.80 | 8.50                       | 8.70        | 7.0     | 7.1  | M32         | 5    | T4             | T3          | 135 °C      |
| 718.0     | 498.8 | MVE 9000/15X-85A0  | MVE 9000/18X-85A0  | 9,020                  | 9,023  | 252         | 241  | 7.35                      | 8.50 | 13.40                      | 12.00       | 7.2     | 7.2  | M32         | 5    | T4             | T3          | 135 °C      |
| 579.9     | 406.0 | MVE 7200/15X-86A0  | MVE 7200/18X-86A0  | 7,286                  | 7,345  | 237         | 231  | 6.00                      | 6.50 | 11.00                      | 10.80       | 4.7     | 4.5  | M32         | 5    | T4             | T3          | 135 °C      |
| 724.8     | 507.0 | MVE 9000/15X-86A0  | MVE 9000/18X-86A0  | 9,106                  | 9,172  | 252         | 241  | 6.00                      | 6.50 | 11.00                      | 10.80       | 4.7     | 4.5  | M32         | 5    | T4             | T3          | 135 °C      |
| 800.1     | 588.3 | MVE 10000/15X-90A0 | MVE 10000/18X-90A0 | 10,052                 | 10,643 | 300         | 286  | 5.40                      | 7.00 | 13.00                      | 13.00       | 6.7     | 6.6  | M32         | 5    | T4             | T3          | 135 °C      |
| 835.7     | 581.3 | MVE 10000/15X-91A0 | MVE 10000/18X-91A0 | 10,499                 | 10,517 | 300         | 286  | 7.00                      | 8.20 | 13.10                      | 13.10       | 7.2     | 7.7  | M32         | 5    | T4             | T3          | 135 °C      |

SIZE 70A0



SIZE 75A0



SIZE 80A0



**UP TO SIZE 60 (NOT INCLUDED)**  
60Hz masses = 50Hz masses adjusted at 70%  
Except for model MVE 1100/15E - 1100/18E



**ABOVE SIZE 60 (INCLUDED)**  
Specific masses for 60Hz

To convert kg into Newton:  $N = 9.81 \cdot kg$



- » II 2D Ex tb IIIC Tx Db IP66
- » II 2G Ex eb IIC T3 Gb
- » Equipment and protective system intended for use in potentially explosive atmospheres (Zone 21 - Zone 1) - Directive 2014/34/UE
- » Compliance with Essential Health and Safety Requirements
- » IEC 60034-1, IEC EN 60079-0, IEC EN 60079-31, IEC EN 60079-7



DIMENSIONAL SPECIFICATIONS (mm)

| Model              |                    | Drawing | Size | DIMENSIONAL SPECIFICATIONS (mm) |      |      |      |     |     |                                                                          |       |     |     |     |     |     |     |     |     |     |
|--------------------|--------------------|---------|------|---------------------------------|------|------|------|-----|-----|--------------------------------------------------------------------------|-------|-----|-----|-----|-----|-----|-----|-----|-----|-----|
| 50Hz               | 60Hz               |         |      | C                               |      | M    |      | A   | B   | Ø G                                                                      | Holes | D   | E   | F   | H   | I   | L   | N   |     |     |
|                    |                    |         |      | 50Hz                            | 60Hz | 50Hz | 60Hz |     |     |                                                                          | n°    |     |     |     |     |     |     |     |     |     |
| MVE 200/15X-30A0   | MVE 200/18X-30A0   | C       | 30A0 | 274                             |      |      | 52   |     |     | Multiple Footprint<br>80 110 11<br>90 125 13<br>124 110 11<br>135 115 11 |       |     | 4   | 150 | 173 | 15  | 79  | 150 | 166 | 134 |
| MVE 400/15X-40A0   | MVE 400/18X-40A0   |         |      | D1                              | 40A0 | 330  | 78   | 105 | 140 | 13                                                                       | 4     | 170 | 196 | 20  | 92  | 174 | 166 | 160 |     |     |
| MVE 500/15X-40A0   | MVE 500/18X-40A0   |         |      | D1                              | 40A0 | 330  | 78   | 105 | 140 | 13                                                                       | 4     | 170 | 196 | 20  | 92  | 174 | 166 | 160 |     |     |
| MVE 300/15X-50A0   | MVE 300/18X-50A0   |         |      | D1                              | 50A0 | 321  | 62   | 120 | 170 | 17                                                                       | 4     | 208 | 210 | 22  | 96  | 185 | 192 | 170 |     |     |
| MVE 300/15X-51A0   | MVE 300/18X-51A0   | D1      | 51A0 | 321                             | 62   | 120  | 170  | 17  | 4   | 208                                                                      | 220   | 25  | 105 | 202 | 192 | 187 |     |     |     |     |
| MVE 700/15X-50A0   | MVE 700/18X-50A0   | D1      | 50A0 | 391                             | 97   | 120  | 170  | 17  | 4   | 208                                                                      | 210   | 22  | 96  | 185 | 192 | 170 |     |     |     |     |
| MVE 710/15X-50A0   | MVE 710/18X-50A0   | D1      | 50A0 | 391                             | 97   | 120  | 170  | 17  | 4   | 208                                                                      | 210   | 22  | 96  | 185 | 192 | 170 |     |     |     |     |
| MVE 950/15X-50A0   | MVE 950/18X-50A0   | D1      | 50A0 | 455                             | 129  | 120  | 170  | 17  | 4   | 208                                                                      | 210   | 22  | 96  | 185 | 192 | 170 |     |     |     |     |
| MVE 1100/15X-50A0  | MVE 1100/18X-50A0  | D1      | 50A0 | 455                             | 129  | 120  | 170  | 17  | 4   | 208                                                                      | 210   | 22  | 96  | 185 | 192 | 170 |     |     |     |     |
| MVE 1100/15X-51A0  | MVE 1100/18X-51A0  | D1      | 51A0 | 414                             | 106  | 120  | 170  | 17  | 4   | 208                                                                      | 220   | 25  | 105 | 202 | 192 | 187 |     |     |     |     |
| MVE 1400/15X-60A0  | MVE 1400/18X-60A0  | D1      | 60A0 | 446                             | 112  | 140  | 190  | 17  | 4   | 230                                                                      | 260   | 26  | 124 | 240 | 218 | 222 |     |     |     |     |
| MVE 1700/15X-60A0  | MVE 1700/18X-60A0  | D1      | 60A0 | 446                             | 112  | 140  | 190  | 17  | 4   | 230                                                                      | 260   | 26  | 124 | 240 | 218 | 222 |     |     |     |     |
| MVE 2400/15X-60A0  | MVE 2400/18X-60A0  | D1      | 60A0 | 490                             | 446  | 134  | 112  | 140 | 190 | 17                                                                       | 4     | 230 | 260 | 26  | 124 | 240 | 218 | 222 |     |     |
| MVE 2500/15X-70A0  | MVE 2500/18X-70A0  | D1      | 70A0 | 501                             |      | 123  |      | 155 | 225 | 22                                                                       | 4     | 275 | 290 | 30  | 140 | 256 | 250 | 236 |     |     |
| MVE 3000/15X-70A0  | MVE 3000/18X-70A0  | D1      | 70A0 | 535                             | 501  | 140  | 123  | 155 | 225 | 22                                                                       | 4     | 275 | 290 | 30  | 140 | 256 | 250 | 236 |     |     |
| MVE 3800/15X-75A0  | MVE 3800/18X-75A0  | D1      | 75A0 | 564                             | 536  | 151  | 117  | 155 | 255 | 23.5                                                                     | 4     | 304 | 314 | 30  | 147 | 285 | 277 | 265 |     |     |
| MVE 4300/15X-75A0  | MVE 4300/18X-75A0  | D1      | 75A0 | 584                             | 564  | 151  | 141  | 155 | 255 | 23.5                                                                     | 4     | 304 | 314 | 30  | 147 | 285 | 277 | 265 |     |     |
| MVE 5500/15X-80A0  | MVE 5500/18X-80A0  | E1      | 80A0 | 603                             |      | 143  |      | 180 | 280 | 26                                                                       | 4     | 332 | 360 | 37  | 167 | 345 | 304 | 310 |     |     |
| MVE 7200/15X-85A0  | MVE 7200/18X-85A0  | D1      | 85A0 | 624                             | 130  | 200  | 320  | 28  | 4   | 385                                                                      | 402   | 40  | 203 | 394 | 360 | 378 |     |     |     |     |
| MVE 9000/15X-85A0  | MVE 9000/18X-85A0  | D1      | 85A0 | 624                             | 130  | 200  | 320  | 28  | 4   | 385                                                                      | 402   | 40  | 203 | 394 | 360 | 378 |     |     |     |     |
| MVE 7200/15X-86A0  | MVE 7200/18X-86A0  | D1      | 86A0 | 624                             | 130  | 200  | 320  | 28  | 4   | 385                                                                      | 402   | 40  | 203 | 394 | 360 | 378 |     |     |     |     |
| MVE 9000/15X-86A0  | MVE 9000/18X-86A0  | D1      | 86A0 | 624                             | 130  | 200  | 320  | 28  | 4   | 385                                                                      | 402   | 40  | 203 | 394 | 360 | 378 |     |     |     |     |
| MVE 10000/15X-90A0 | MVE 10000/18X-90A0 | E1      | 90A0 | 728                             | 170  | 125  | 380  | 39  | 6   | 452                                                                      | 415   | 40  | 205 | 394 | 380 | 378 |     |     |     |     |
| MVE 10000/15X-91A0 | MVE 10000/18X-91A0 | E1      | 91A0 | 728                             | 170  | 125  | 380  | 39  | 6   | 452                                                                      | 415   | 40  | 205 | 394 | 380 | 378 |     |     |     |     |

Notes:

.....

.....

.....

.....

NOTE: Dimensions with coarse degree of accuracy related to UNI 22768/1

This information is provided without warranty, representation, inducement or licence of any kind. It is accurate to the best OLI knowledge or is obtained from sources believed to be accurate. OLI therefore assumes no legal responsibility.



- » Class I, Div.2 Group A, B, C, D T3
- » Class II Div.2 Group F, G T4
- » Conform to UL 1004-1, UL 1004-3, UL60079-31, UL60079-0, CSA 60079-0, CSA 60079-31, CSA 22.2 N°100, CSA 22.2 N°77, CSA 22.2 N°60079-7

STANDARD

EXPLOSION - PROOF

INCREASED SAFETY

HI-STROKE MILLING

# MVE-Exe INCREASED SAFETY



## 6 POLES - 1000/1200 rpm

| Wm (kgcm) |         | Model             |                    | Centrifugal Force (kg) |        | Weight (kg) |      | ELECTRICAL SPECIFICATIONS |      |                            |             |         |      | CERTIFICATE |      |                |             |             |
|-----------|---------|-------------------|--------------------|------------------------|--------|-------------|------|---------------------------|------|----------------------------|-------------|---------|------|-------------|------|----------------|-------------|-------------|
|           |         |                   |                    |                        |        |             |      | Input Power (kW)          |      | Nominal Current A max. (Y) |             | Ia / In |      | Cable Gland | Ex e | Class II Div.2 | II 2G       | II 2D       |
| 50Hz      | 60Hz    | 50Hz              | 60Hz               | 50Hz                   | 60Hz   | 50Hz        | 60Hz | 50Hz                      | 60Hz | 50Hz (400V)                | 60Hz (460V) | 50Hz    | 60Hz | Metric      | tE   | Temp. Class    | Temp. Class | Temp. Class |
| 9.5       | 6.6     | MVE 50/1X-30A0    | MVE 50/12X-30A0    | 53                     | 53     | 10          |      | 0.12                      | 0.14 | 0.30                       | 0.40        | 2.2     | 2.2  | M20         | 5    | T4             | T3          | 100 °C      |
| 18.8      | 13.2    | MVE 100/1X-30A0   | MVE 100/12X-30A0   | 105                    | 106    | 11          |      | 0.12                      | 0.14 | 0.30                       | 0.40        | 2.2     | 2.2  | M20         | 5    | T4             | T3          | 100 °C      |
| 33.5      | 23.4    | MVE 200/1X-40A0   | MVE 200/12X-40A0   | 187                    | 188    | 19          |      | 0.15                      | 0.18 | 0.65                       | 0.63        | 2.2     | 2.2  | M20         | 5    | T4             | T3          | 135 °C      |
| 56.9      | 39.9    | MVE 300/1X-50A0   | MVE 300/12X-50A0   | 318                    | 320    | 26          |      | 0.25                      | 0.30 | 0.67                       | 0.64        | 2.7     | 2.7  | M20         | 5    | T4             | T3          | 135 °C      |
| 91.9      | 64.3    | MVE 500/1X-50A0   | MVE 500/12X-50A0   | 513                    | 517    | 34          |      | 0.55                      | 0.40 | 1.22                       | 1.15        | 3.0     | 2.9  | M20         | 5    | T4             | T3          | 135 °C      |
| 91.9      | 91.9    | MVE 510/1X-50A0   | MVE 510/12X-50A0   | 513                    | 739    | 34          |      | 0.55                      | 0.40 | 1.20                       | 1.15        | 3.0     | 2.9  | M20         | 5    | T4             | T3          | 135 °C      |
| 137.4     | 108.6   | MVE 800/1X-60A0   | MVE 800/12X-60A0   | 767                    | 873    | 60          | 58   | 0.75                      | 0.80 | 1.42                       | 1.32        | 3.4     | 3.3  | M25         | 5    | T4             | T3          | 135 °C      |
| 187.7     | 137.3   | MVE 1100/1X-60A0  | MVE 1100/12X-60A0  | 1,048                  | 1,104  | 78          | 72   | 0.75                      | 0.80 | 1.42                       | 1.32        | 3.4     | 3.3  | M25         | 5    | T4             | T3          | 135 °C      |
| 284.8     | 196.5   | MVE 1500/1X-60A0  | MVE 1500/12X-60A0  | 1,590                  | 1,580  | 84          | 73   | 0.90                      | 1.08 | 1.80                       | 2.00        | 3.5     | 3.5  | M25         | 5    | T4             | T3          | 135 °C      |
| 299.6     | 203.5   | MVE 1600/1X-70A0  | MVE 1600/12X-70A0  | 1,673                  | 1,636  | 90          | 79   | 0.90                      | 1.08 | 2.40                       | 2.30        | 3.9     | 3.8  | M25         | 5    | T4             | T3          | 135 °C      |
| 373.1     | 248.7   | MVE 2100/1X-70A0  | MVE 2100/12X-70A0  | 2,083                  | 2,000  | 105         | 91   | 1.50                      | 1.80 | 3.00                       | 3.20        | 4.5     | 4.6  | M25         | 5    | T4             | T3          | 135 °C      |
| 401.0     | 275.2   | MVE 2200/1X-70A0  | MVE 2200/12X-70A0  | 2,239                  | 2,213  | 107         | 93   | 1.50                      | 1.80 | 3.00                       | 3.20        | 4.5     | 4.6  | M25         | 5    | T4             | T3          | 135 °C      |
| 467.4     | 306.7   | MVE 2600/1X-75A0  | MVE 2600/12X-75A0  | 2,610                  | 2,466  | 149         | 132  | 1.96                      | 2.10 | 4.10                       | 4.00        | 5.0     | 5.0  | M32         | 5    | T4             | T3          | 135 °C      |
| 540.3     | 379.7   | MVE 3000/1X-75A0  | MVE 3000/12X-75A0  | 3,017                  | 3,053  | 155         | 138  | 2.20                      | 2.40 | 4.50                       | 4.30        | 5.2     | 5.2  | M32         | 5    | T4             | T3          | 135 °C      |
| 702.5     | 465.6   | MVE 3700/1X-75A0  | MVE 3700/12X-75A0  | 3,797                  | 3,744  | 155         | 142  | 2.20                      | 2.40 | 4.50                       | 4.30        | 5.2     | 5.2  | M32         | 5    | T4             | T3          | 135 °C      |
| 680.4     | 437.4   | MVE 3800/1X-80A0  | MVE 3800/12X-80A0  | 3,799                  | 3,517  | 216         | 195  | 2.50                      | 3.00 | 5.50                       | 5.30        | 6.1     | 6.2  | M32         | 5    | T4             | T3          | 135 °C      |
| 838.3     | 584.2   | MVE 4700/1X-80A0  | MVE 4700/12X-80A0  | 4,681                  | 4,697  | 220         | 201  | 3.20                      | 3.90 | 6.50                       | 6.95        | 5.7     | 5.9  | M32         | 5    | T4             | T3          | 135 °C      |
| 929.9     | 654.6   | MVE 5200/1X-85A0  | MVE 5200/12X-85A0  | 5,192                  | 5,263  | 264         | 248  | 3.80                      | 4.00 | 6.92                       | 6.36        | 5.7     | 5.7  | M32         | 5    | T4             | T3          | 135 °C      |
| 1,165.2   | 824.0   | MVE 6500/1X-85A0  | MVE 6500/12X-85A0  | 6,506                  | 6,625  | 288         | 265  | 4.30                      | 5.00 | 7.76                       | 7.81        | 6.4     | 6.2  | M32         | 5    | T4             | T3          | 135 °C      |
|           |         |                   |                    |                        |        |             |      | <b>A max. (Δ)</b>         |      |                            |             |         |      |             |      |                |             |             |
| 1,436.0   | 929.8   | MVE 8000/1X-85A0  | MVE 8000/12X-85A0  | 8,018                  | 7,476  | 309         | 274  | 5.50                      | 6.60 | 12.60                      | 11.60       | 6.2     | 6.4  | M32         | 5    | T4             | T3          | 135 °C      |
| 1,600.4   | 1,165.2 | MVE 9000/1X-85A0  | MVE 9000/12X-85A0  | 8,936                  | 9,369  | 322         | 291  | 6.20                      | 7.45 | 13.20                      | 12.60       | 6.5     | 6.4  | M32         | 5    | T4             | T3          | 135 °C      |
| 1,434.0   | 929.8   | MVE 8000/1X-86A0  | MVE 8000/12X-86A0  | 8,007                  | 7,476  | 309         | 274  | 4.60                      | 5.50 | 9.00                       | 10.00       | 6.0     | 6.2  | M32         | 5    | T4             | T3          | 135 °C      |
| 1,598.0   | 1,165.2 | MVE 9000/1X-86A0  | MVE 9000/12X-86A0  | 8,923                  | 9,369  | 322         | 291  | 4.60                      | 5.50 | 9.00                       | 10.00       | 6.0     | 6.2  | M32         | 5    | T4             | T3          | 135 °C      |
| 1,788.4   | 1,240.0 | MVE 10000/1X-90A0 | MVE 10000/12X-90A0 | 9,986                  | 9,970  | 374         | 348  | 6.10                      | 6.40 | 14.00                      | 12.70       | 6.6     | 6.6  | M32         | 5    | T4             | T3          | 135 °C      |
| 2,329.8   | 1,647.4 | MVE 13000/1X-90A0 | MVE 13000/12X-90A0 | 13,009                 | 13,246 | 411         | 364  | 7.50                      | 8.30 | 16.40                      | 16.00       | 6.4     | 6.5  | M32         | 5    | T4             | T3          | 135 °C      |
| 1,802.9   | 1,240.0 | MVE 10000/1X-91A0 | MVE 10000/12X-91A0 | 10,067                 | 9,970  | 373         | 348  | 6.40                      | 7.70 | 13.00                      | 14.50       | 6.0     | 6.0  | M32         | 5    | T4             | T3          | 135 °C      |
| 2,056.9   | 1,433.0 | MVE 11400/1X-91A0 | MVE 11400/12X-91A0 | 11,485                 | 11,522 | 404         | 361  | 6.40                      | 7.70 | 13.00                      | 7.50        | 6.0     | 6.0  | M32         | 5    | T4             | T3          | 135 °C      |



**UP TO SIZE 60 (NOT INCLUDED)**  
60Hz masses = 50Hz masses adjusted at 70%

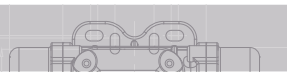


**ABOVE SIZE 60 (INCLUDED)**  
Specific masses for 60Hz

To convert kg into Newton: **N = 9.81 · kg**



- » II 2D Ex tb IIIC Tx Db IP66
- » II 2G Ex eb IIC T3 Gb
- » Equipment and protective system intended for use in potentially explosive atmospheres (Zone 21 - Zone 1) - Directive 2014/34/UE
- » Compliance with Essential Health and Safety Requirements
- » IEC 60034-1, IEC EN 60079-0, IEC EN 60079-31, IEC EN 60079-7



| Model              |                    | Drawing | Size | DIMENSIONAL SPECIFICATIONS (mm) |      |      |      |                                                                                                                                                                                                                                                                |     |      |                    |     |     |    |     |     |     |     |    |     |     |    |     |     |    |   |     |     |    |    |     |     |     |
|--------------------|--------------------|---------|------|---------------------------------|------|------|------|----------------------------------------------------------------------------------------------------------------------------------------------------------------------------------------------------------------------------------------------------------------|-----|------|--------------------|-----|-----|----|-----|-----|-----|-----|----|-----|-----|----|-----|-----|----|---|-----|-----|----|----|-----|-----|-----|
|                    |                    |         |      | C                               |      | M    |      | A                                                                                                                                                                                                                                                              | B   | Ø G  | Holes              | D   | E   | F  | H   | I   | L   | N   |    |     |     |    |     |     |    |   |     |     |    |    |     |     |     |
|                    |                    |         |      | 50Hz                            | 60Hz | 50Hz | 60Hz |                                                                                                                                                                                                                                                                |     |      | n°                 |     |     |    |     |     |     |     |    |     |     |    |     |     |    |   |     |     |    |    |     |     |     |
| MVE 50/1X-30A0     | MVE 50/12X-30A0    | C       | 30A0 | 274                             |      | 52   |      | <table border="1"> <tr><th colspan="3">Multiple Footprint</th></tr> <tr><td>80</td><td>110</td><td>11</td></tr> <tr><td>90</td><td>125</td><td>13</td></tr> <tr><td>124</td><td>110</td><td>11</td></tr> <tr><td>135</td><td>115</td><td>11</td></tr> </table> |     |      | Multiple Footprint |     |     | 80 | 110 | 11  | 90  | 125 | 13 | 124 | 110 | 11 | 135 | 115 | 11 | 4 | 150 | 173 | 15 | 79 | 150 | 166 | 134 |
| Multiple Footprint |                    |         |      |                                 |      |      |      |                                                                                                                                                                                                                                                                |     |      |                    |     |     |    |     |     |     |     |    |     |     |    |     |     |    |   |     |     |    |    |     |     |     |
| 80                 | 110                | 11      |      |                                 |      |      |      |                                                                                                                                                                                                                                                                |     |      |                    |     |     |    |     |     |     |     |    |     |     |    |     |     |    |   |     |     |    |    |     |     |     |
| 90                 | 125                | 13      |      |                                 |      |      |      |                                                                                                                                                                                                                                                                |     |      |                    |     |     |    |     |     |     |     |    |     |     |    |     |     |    |   |     |     |    |    |     |     |     |
| 124                | 110                | 11      |      |                                 |      |      |      |                                                                                                                                                                                                                                                                |     |      |                    |     |     |    |     |     |     |     |    |     |     |    |     |     |    |   |     |     |    |    |     |     |     |
| 135                | 115                | 11      |      |                                 |      |      |      |                                                                                                                                                                                                                                                                |     |      |                    |     |     |    |     |     |     |     |    |     |     |    |     |     |    |   |     |     |    |    |     |     |     |
| MVE 100/1X-30A0    | MVE 100/12X-30A0   | C       | 30A0 | 304                             |      | 67   |      | <table border="1"> <tr><th colspan="3">Multiple Footprint</th></tr> <tr><td>80</td><td>110</td><td>11</td></tr> <tr><td>90</td><td>125</td><td>13</td></tr> <tr><td>124</td><td>110</td><td>11</td></tr> <tr><td>135</td><td>115</td><td>11</td></tr> </table> |     |      | Multiple Footprint |     |     | 80 | 110 | 11  | 90  | 125 | 13 | 124 | 110 | 11 | 135 | 115 | 11 | 4 | 150 | 173 | 15 | 79 | 150 | 166 | 134 |
| Multiple Footprint |                    |         |      |                                 |      |      |      |                                                                                                                                                                                                                                                                |     |      |                    |     |     |    |     |     |     |     |    |     |     |    |     |     |    |   |     |     |    |    |     |     |     |
| 80                 | 110                | 11      |      |                                 |      |      |      |                                                                                                                                                                                                                                                                |     |      |                    |     |     |    |     |     |     |     |    |     |     |    |     |     |    |   |     |     |    |    |     |     |     |
| 90                 | 125                | 13      |      |                                 |      |      |      |                                                                                                                                                                                                                                                                |     |      |                    |     |     |    |     |     |     |     |    |     |     |    |     |     |    |   |     |     |    |    |     |     |     |
| 124                | 110                | 11      |      |                                 |      |      |      |                                                                                                                                                                                                                                                                |     |      |                    |     |     |    |     |     |     |     |    |     |     |    |     |     |    |   |     |     |    |    |     |     |     |
| 135                | 115                | 11      |      |                                 |      |      |      |                                                                                                                                                                                                                                                                |     |      |                    |     |     |    |     |     |     |     |    |     |     |    |     |     |    |   |     |     |    |    |     |     |     |
| MVE 200/1X-40A0    | MVE 200/12X-40A0   | D1      | 40A0 | 330                             |      | 78   |      | 105                                                                                                                                                                                                                                                            | 140 | 13   | 4                  | 170 | 196 | 20 | 92  | 174 | 166 | 160 |    |     |     |    |     |     |    |   |     |     |    |    |     |     |     |
| MVE 300/1X-50A0    | MVE 300/12X-50A0   | D1      | 50A0 | 391                             |      | 97   |      | 120                                                                                                                                                                                                                                                            | 170 | 17   | 4                  | 208 | 210 | 22 | 96  | 185 | 192 | 170 |    |     |     |    |     |     |    |   |     |     |    |    |     |     |     |
| MVE 500/1X-50A0    | MVE 500/12X-50A0   | D1      | 50A0 | 455                             |      | 129  |      | 120                                                                                                                                                                                                                                                            | 170 | 17   | 4                  | 208 | 210 | 22 | 96  | 185 | 192 | 170 |    |     |     |    |     |     |    |   |     |     |    |    |     |     |     |
| MVE 510/1X-50A0    | MVE 510/12X-50A0   | D1      | 50A0 | 455                             |      | 129  |      | 120                                                                                                                                                                                                                                                            | 170 | 17   | 4                  | 208 | 210 | 22 | 96  | 185 | 192 | 170 |    |     |     |    |     |     |    |   |     |     |    |    |     |     |     |
| MVE 800/1X-60A0    | MVE 800/12X-60A0   | D1      | 60A0 | 446                             |      | 112  |      | 140                                                                                                                                                                                                                                                            | 190 | 17   | 4                  | 230 | 260 | 26 | 124 | 240 | 218 | 222 |    |     |     |    |     |     |    |   |     |     |    |    |     |     |     |
| MVE 1100/1X-60A0   | MVE 1100/12X-60A0  | D1      | 60A0 | 490                             | 446  | 134  | 112  | 140                                                                                                                                                                                                                                                            | 190 | 17   | 4                  | 230 | 260 | 26 | 124 | 240 | 218 | 222 |    |     |     |    |     |     |    |   |     |     |    |    |     |     |     |
| MVE 1500/1X-60A0   | MVE 1500/12X-60A0  | D1      | 60A0 | 566                             | 490  | 172  | 134  | 140                                                                                                                                                                                                                                                            | 190 | 17   | 4                  | 230 | 260 | 26 | 124 | 240 | 218 | 222 |    |     |     |    |     |     |    |   |     |     |    |    |     |     |     |
| MVE 1600/1X-70A0   | MVE 1600/12X-70A0  | D1      | 70A0 | 563                             | 501  | 154  | 123  | 155                                                                                                                                                                                                                                                            | 225 | 22   | 4                  | 275 | 290 | 30 | 140 | 256 | 250 | 236 |    |     |     |    |     |     |    |   |     |     |    |    |     |     |     |
| MVE 2100/1X-70A0   | MVE 2100/12X-70A0  | D1      | 70A0 | 623                             | 563  | 184  | 154  | 155                                                                                                                                                                                                                                                            | 225 | 22   | 4                  | 275 | 290 | 30 | 140 | 256 | 250 | 236 |    |     |     |    |     |     |    |   |     |     |    |    |     |     |     |
| MVE 2200/1X-70A0   | MVE 2200/12X-70A0  | D1      | 70A0 | 623                             |      | 184  |      | 155                                                                                                                                                                                                                                                            | 225 | 22   | 4                  | 275 | 290 | 30 | 140 | 256 | 250 | 236 |    |     |     |    |     |     |    |   |     |     |    |    |     |     |     |
| MVE 2600/1X-75A0   | MVE 2600/12X-75A0  | D1      | 75A0 | 692                             | 584  | 205  | 151  | 155                                                                                                                                                                                                                                                            | 255 | 23.5 | 4                  | 304 | 314 | 30 | 147 | 285 | 277 | 265 |    |     |     |    |     |     |    |   |     |     |    |    |     |     |     |
| MVE 3000/1X-75A0   | MVE 3000/12X-75A0  | D1      | 75A0 | 692                             | 584  | 205  | 151  | 155                                                                                                                                                                                                                                                            | 255 | 23.5 | 4                  | 304 | 314 | 30 | 147 | 285 | 277 | 265 |    |     |     |    |     |     |    |   |     |     |    |    |     |     |     |
| MVE 3700/1X-75A0   | MVE 3700/12X-75A0  | D1      | 75A0 | 734                             | 692  | 226  | 205  | 155                                                                                                                                                                                                                                                            | 255 | 23.5 | 4                  | 304 | 314 | 30 | 147 | 285 | 277 | 265 |    |     |     |    |     |     |    |   |     |     |    |    |     |     |     |
| MVE 3800/1X-80A0   | MVE 3800/12X-80A0  | D1      | 80A0 | 683                             | 603  | 183  | 143  | 180                                                                                                                                                                                                                                                            | 280 | 26   | 4                  | 332 | 354 | 32 | 170 | 330 | 312 | 311 |    |     |     |    |     |     |    |   |     |     |    |    |     |     |     |
| MVE 4700/1X-80A0   | MVE 4700/12X-80A0  | D1      | 80A0 | 733                             | 683  | 208  | 183  | 180                                                                                                                                                                                                                                                            | 280 | 26   | 4                  | 332 | 354 | 32 | 170 | 330 | 312 | 311 |    |     |     |    |     |     |    |   |     |     |    |    |     |     |     |
| MVE 5200/1X-85A0   | MVE 5200/12X-85A0  | D1      | 85A0 | 704                             | 624  | 170  | 130  | 200                                                                                                                                                                                                                                                            | 320 | 28   | 4                  | 385 | 402 | 40 | 20  | 394 | 360 | 378 |    |     |     |    |     |     |    |   |     |     |    |    |     |     |     |
| MVE 6500/1X-85A0   | MVE 6500/12X-85A0  | D1      | 85A0 | 704                             |      | 170  |      | 200                                                                                                                                                                                                                                                            | 320 | 28   | 4                  | 385 | 402 | 40 | 20  | 394 | 360 | 378 |    |     |     |    |     |     |    |   |     |     |    |    |     |     |     |
| MVE 8000/1X-85A0   | MVE 8000/12X-85A0  | D1      | 85A0 | 774                             | 704  | 205  | 170  | 200                                                                                                                                                                                                                                                            | 320 | 28   | 4                  | 385 | 402 | 40 | 203 | 394 | 360 | 378 |    |     |     |    |     |     |    |   |     |     |    |    |     |     |     |
| MVE 9000/1X-85A0   | MVE 9000/12X-85A0  | D1      | 85A0 | 774                             | 704  | 205  | 170  | 200                                                                                                                                                                                                                                                            | 320 | 28   | 4                  | 385 | 402 | 40 | 203 | 394 | 360 | 378 |    |     |     |    |     |     |    |   |     |     |    |    |     |     |     |
| MVE 8000/1X-86A0   | MVE 8000/12X-86A0  | D1      | 86A0 | 774                             |      | 205  |      | 200                                                                                                                                                                                                                                                            | 320 | 28   | 4                  | 385 | 402 | 40 | 203 | 394 | 360 | 378 |    |     |     |    |     |     |    |   |     |     |    |    |     |     |     |
| MVE 9000/1X-86A0   | MVE 9000/12X-86A0  | D1      | 86A0 | 774                             |      | 205  |      | 200                                                                                                                                                                                                                                                            | 320 | 28   | 4                  | 385 | 402 | 40 | 203 | 394 | 360 | 378 |    |     |     |    |     |     |    |   |     |     |    |    |     |     |     |
| MVE 10000/1X-90A0  | MVE 10000/12X-90A0 | E1      | 90A0 | 908                             | 798  | 260  | 205  | 125                                                                                                                                                                                                                                                            | 380 | 39   | 6                  | 452 | 415 | 40 | 205 | 394 | 380 | 378 |    |     |     |    |     |     |    |   |     |     |    |    |     |     |     |
| MVE 13000/1X-90A0  | MVE 13000/12X-90A0 | E1      | 90A0 | 948                             | 798  | 280  | 205  | 125                                                                                                                                                                                                                                                            | 380 | 39   | 6                  | 452 | 415 | 40 | 205 | 394 | 380 | 378 |    |     |     |    |     |     |    |   |     |     |    |    |     |     |     |
| MVE 10000/1X-91A0  | MVE 10000/12X-91A0 | E1      | 91A0 | 908                             |      | 260  |      | 125                                                                                                                                                                                                                                                            | 380 | 39   | 6                  | 452 | 415 | 40 | 205 | 394 | 380 | 378 |    |     |     |    |     |     |    |   |     |     |    |    |     |     |     |
| MVE 11400/1X-91A0  | MVE 11400/12X-91A0 | E1      | 91A0 | 908                             |      | 260  |      | 125                                                                                                                                                                                                                                                            | 380 | 39   | 6                  | 452 | 415 | 40 | 205 | 394 | 380 | 378 |    |     |     |    |     |     |    |   |     |     |    |    |     |     |     |

STANDARD  
EXPLOSION-PROOF  
INCREASED SAFETY  
HI-STROKE MILLING

NOTE: Dimensions with coarse degree of accuracy related to UNI 22768/1

This information is provided without warranty, representation, inducement or licence of any kind. It is accurate to the best OLI knowledge or is obtained from sources believed to be accurate. OLI therefore assumes no legal responsibility.



- » Class I, Div.2 Group A, B, C, D T3
- » Class II Div.2 Group F, G T4
- » Conform to UL 1004-1, UL 1004-3, UL60079-31, UL60079-0, CSA 60079-0, CSA 60079-31, CSA 22.2 N°100, CSA 22.2 N°77, CSA 22.2 N°60079-7

# MVE-Exe INCREASED SAFETY



## 8 POLES - 750/900 rpm

| Wm<br>(kgcm) | Model               |                     | Centrifugal<br>Force<br>(kg) |        | Weight<br>(kg) |      | ELECTRICAL SPECIFICATIONS |       |                                  |                |         |      | CERTIFICATE    |      |                   |        |       |
|--------------|---------------------|---------------------|------------------------------|--------|----------------|------|---------------------------|-------|----------------------------------|----------------|---------|------|----------------|------|-------------------|--------|-------|
|              |                     |                     |                              |        |                |      | Input<br>Power<br>(kW)    |       | Nominal<br>Current<br>A max. (Y) |                | Ia / In |      | Cable<br>Gland | Ex e | Class II<br>Div.2 | II 2G  | II 2D |
|              |                     |                     |                              |        |                |      | 50Hz                      | 60Hz  | 50Hz<br>(400V)                   | 60Hz<br>(460V) | 50Hz    | 60Hz |                |      |                   |        |       |
| 33.4         | MVE 150/075X-40A0   | MVE 150/090X-40A0   | 105                          | 151    | 21             | 0.23 | 0.25                      | 1.14  | 1.14                             | 1.7            | 1.7     | M20  | 5              | T4   | T3                | 135 °C |       |
| 56.9         | MVE 250/075X-50A0   | MVE 250/090X-50A0   | 179                          | 257    | 29             | 0.25 | 0.30                      | 0.90  | 0.89                             | 1.9            | 1.9     | M20  | 5              | T4   | T3                | 135 °C |       |
| 84.0         | MVE 400/075X-50A0   | MVE 400/090X-50A0   | 264                          | 380    | 34             | 0.25 | 0.30                      | 0.90  | 0.89                             | 2.1            | 2.1     | M20  | 5              | T4   | T3                | 135 °C |       |
| 137.3        | MVE 650/075X-60A0   | MVE 650/090X-60A0   | 431                          | 621    | 63             | 0.37 | 0.45                      | 1.20  | 1.20                             | 2.4            | 2.4     | M25  | 5              | T4   | T3                | 135 °C |       |
| 187.7        | MVE 900/075X-60A0   | MVE 900/090X-60A0   | 589                          | 849    | 70             | 0.55 | 0.54                      | 1.23  | 1.29                             | 2.7            | 2.7     | M25  | 5              | T4   | T3                | 135 °C |       |
| 299.6        | MVE 1300/075X-70A0  | MVE 1300/090X-70A0  | 941                          | 1,355  | 90             | 0.75 | 0.90                      | 2.20  | 2.20                             | 3.2            | 3.2     | M25  | 5              | T4   | T3                | 135 °C |       |
| 467.4        | MVE 2100/075X-75A0  | MVE 2100/090X-75A0  | 1,468                        | 2,114  | 150            | 1.00 | 1.20                      | 2.81  | 2.89                             | 4.4            | 4.3     | M32  | 5              | T4   | T3                | 135 °C |       |
| 680.3        | MVE 3100/075X-80A0  | MVE 3100/090X-80A0  | 2,137                        | 3,077  | 201            | 2.00 | 2.30                      | 4.50  | 4.40                             | 4.2            | 4.2     | M32  | 5              | T4   | T3                | 135 °C |       |
| 838.4        | MVE 3800/075X-80A0  | MVE 3800/090X-80A0  | 2,633                        | 3,792  | 219            | 2.50 | 3.00                      | 6.00  | 6.00                             | 4.1            | 4.2     | M32  | 5              | T4   | T3                | 135 °C |       |
| 929.7        | MVE 4200/075X-85A0  | MVE 4200/090X-85A0  | 2,920                        | 4,205  | 268            | 2.90 | 3.40                      | 6.50  | 6.50                             | 4.0            | 3.9     | M32  | 5              | T4   | T3                | 135 °C |       |
| 1,165.2      | MVE 5300/075X-85A0  | MVE 5300/090X-85A0  | 3,660                        | 5,270  | 289            | 3.70 | 4.30                      | 8.00  | 8.20                             | 4.0            | 4.4     | M32  | 5              | T4   | T3                | 135 °C |       |
| 1,435.9      | MVE 6500/075X-85A0  | MVE 6500/090X-85A0  | 4,510                        | 6,494  | 308            | 3.80 | 4.20                      | 8.78  | 8.30                             | 3.8            | 4.2     | M32  | 5              | T4   | T3                | 135 °C |       |
|              |                     |                     |                              |        |                |      | <b>A max. (Δ)</b>         |       |                                  |                |         |      |                |      |                   |        |       |
| 2,200.4      | MVE 10000/075X-90A0 | MVE 10000/090X-90A0 | 6,911                        | 9,952  | 422            | 6.80 | 7.50                      | 13.50 | 12.50                            | 3.7            | 4.4     | M32  | 5              | T4   | T3                | 135 °C |       |
| 2,311.0      | MVE 10000/075X-91A0 | MVE 10000/090X-91A0 | 7,258                        | 10,452 | 422            | 6.00 | 7.00                      | 14.40 | 14.00                            | 4.7            | 4.7     | M32  | 5              | T4   | T3                | 135 °C |       |

SIZE 80A0



SIZE 86A0



SIZE 91A0

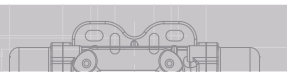


60Hz masses = 50Hz masses adjusted at 100%

To convert kg into Newton:  $N = 9.81 \cdot kg$



- » II 2D Ex tb IIIC Tx Db IP66
- » II 2G Ex eb IIC T3 Gb
- » Equipment and protective system intended for use in potentially explosive atmospheres (Zone 21 - Zone 1) - Directive 2014/34/UE
- » Compliance with Essential Health and Safety Requirements
- » IEC 60034-1, IEC EN 60079-0, IEC EN 60079-31, IEC EN 60079-7



| Model               |                     | Drawing | Size | DIMENSIONAL SPECIFICATIONS (mm) |           |     |     |      |       |     |     |    |     |     |     |     |
|---------------------|---------------------|---------|------|---------------------------------|-----------|-----|-----|------|-------|-----|-----|----|-----|-----|-----|-----|
|                     |                     |         |      | C                               | M         | A   | B   | Ø G  | Holes | D   | E   | F  | H   | I   | L   | N   |
| 50Hz                | 60Hz                |         |      | 50Hz-60Hz                       | 50Hz-60Hz |     |     |      | n°    |     |     |    |     |     |     |     |
| MVE 150/075X-40A0   | MVE 150/090X-40A0   | D1      | 40A0 | 330                             | 78        | 105 | 140 | 13   | 4     | 170 | 196 | 20 | 92  | 174 | 166 | 160 |
| MVE 250/075X-50A0   | MVE 250/090X-50A0   | D1      | 50A0 | 391                             | 97        | 120 | 170 | 17   | 4     | 208 | 210 | 22 | 96  | 185 | 192 | 170 |
| MVE 400/075X-50A0   | MVE 400/090X-50A0   | D1      | 50A0 | 455                             | 129       | 120 | 170 | 17   | 4     | 208 | 210 | 22 | 96  | 185 | 192 | 170 |
| MVE 650/075X-60A0   | MVE 650/090X-60A0   | D1      | 60A0 | 446                             | 112       | 140 | 190 | 17   | 4     | 230 | 260 | 26 | 124 | 240 | 218 | 222 |
| MVE 900/075X-60A0   | MVE 900/090X-60A0   | D1      | 60A0 | 490                             | 134       | 140 | 190 | 17   | 4     | 230 | 260 | 26 | 124 | 240 | 218 | 222 |
| MVE 1300/075X-70A0  | MVE 1300/090X-70A0  | D1      | 70A0 | 563                             | 154       | 155 | 225 | 22   | 4     | 275 | 290 | 30 | 140 | 256 | 250 | 236 |
| MVE 2100/075X-75A0  | MVE 2100/090X-75A0  | D1      | 75A0 | 692                             | 205       | 155 | 255 | 23.5 | 4     | 304 | 314 | 30 | 147 | 285 | 277 | 265 |
| MVE 3100/075X-80A0  | MVE 3100/090X-80A0  | D1      | 80A0 | 683                             | 183       | 180 | 280 | 26   | 4     | 332 | 354 | 32 | 170 | 330 | 312 | 311 |
| MVE 3800/075X-80A0  | MVE 3800/090X-80A0  | D1      | 80A0 | 733                             | 208       | 180 | 280 | 26   | 4     | 332 | 354 | 32 | 170 | 330 | 312 | 311 |
| MVE 4200/075X-85A0  | MVE 4200/090X-85A0  | D1      | 85A0 | 704                             | 170       | 200 | 320 | 28   | 4     | 385 | 402 | 40 | 203 | 394 | 360 | 378 |
| MVE 5300/075X-85A0  | MVE 5300/090X-85A0  | D1      | 85A0 | 704                             | 170       | 200 | 320 | 28   | 4     | 385 | 402 | 40 | 203 | 394 | 360 | 378 |
| MVE 6500/075X-85A0  | MVE 6500/090X-85A0  | D1      | 85A0 | 774                             | 205       | 200 | 320 | 28   | 4     | 385 | 402 | 40 | 203 | 394 | 360 | 378 |
| MVE 10000/075X-90A0 | MVE 10000/090X-90A0 | E1      | 90A0 | 948                             | 280       | 125 | 380 | 39   | 6     | 452 | 415 | 40 | 205 | 394 | 380 | 378 |
| MVE 10000/075X-91A0 | MVE 10000/090X-91A0 | E1      | 91A0 | 948                             | 280       | 125 | 380 | 39   | 6     | 452 | 415 | 40 | 205 | 394 | 380 | 378 |

Notes:

.....

.....

.....

.....

NOTE: Dimensions with coarse degree of accuracy related to UNI 22768/1

This information is provided without warranty, representation, inducement or licence of any kind. It is accurate to the best OLI knowledge or is obtained from sources believed to be accurate. OLI therefore assumes no legal responsibility.



- » Class I, Div.2 Group A, B, C, D T3
- » Class II Div.2 Group F, G T4
- » Conform to UL 1004-1, UL 1004-3, UL60079-31, UL60079-0, CSA 60079-0, CSA 60079-31, CSA 22.2 N°100, CSA 22.2 N°77, CSA 22.2 N°60079-7

STANDARD

INCREASED SAFETY

EXPLOSION-PROOF

HI-STROKE MILLING



# MVE-Exd EXPLOSION-PROOF



## 2 POLES - 3000/3600 rpm

| Wm (kgcm) |      | Model            |                   | Centrifugal Force (kg) |       | Weight (kg) |      |
|-----------|------|------------------|-------------------|------------------------|-------|-------------|------|
| 50Hz      | 60Hz | 50Hz             | 60Hz              | 50Hz                   | 60Hz  | 50Hz        | 60Hz |
| 15.7      | 11.1 | MVE 800/3D-50A0  | MVE 800/36D-50A0  | 794                    | 800   | 40          |      |
| 26.6      | 18.6 | MVE 1300/3D-50A0 | MVE 1300/36D-50A0 | 1,355                  | 1,365 | 41          |      |
| 31.3      | 22.2 | MVE 1600/3D-60A0 | MVE 1600/36D-60A0 | 1,601                  | 1,608 | 63          | 62   |
| 36.8      | 27.6 | MVE 2000/3D-60A0 | MVE 2000/36D-60A0 | 2,027                  | 1,997 | 64          | 63   |
| 46.0      | 31.9 | MVE 2300/3D-60A0 | MVE 2300/36D-60A0 | 2,302                  | 2,306 | 65          | 63   |
| 68.1      | 43.9 | MVE 3200/3D-75A0 | MVE 3200/36D-75A0 | 3,252                  | 3,176 | 105         | 103  |
| 79.4      | 56.0 | MVE 4000/3D-75A0 | MVE 4000/36D-75A0 | 4,033                  | 4,052 | 108         | 104  |

| ELECTRICAL SPECIFICATIONS |      |                            |             |         |      |                 |  |
|---------------------------|------|----------------------------|-------------|---------|------|-----------------|--|
| Input Power (kW)          |      | Nominal Current A max. (Y) |             | Ia / In |      | Cable Gland     |  |
| 50Hz                      | 60Hz | 50Hz (400V)                | 60Hz (460V) | 50Hz    | 60Hz | Metric          |  |
| 0.75                      | 0.90 | 1.45                       | 1.50        | 3.8     | 3.8  | 3/4" NPT 110 °C |  |
| 1.10                      | 1.10 | 2.00                       | 2.75        | 5.2     | 5.0  | 3/4" NPT 110 °C |  |
| 1.57                      | 1.60 | 2.94                       | 2.61        | 5.9     | 6.2  | 3/4" NPT 110 °C |  |
| 1.25                      | 1.40 | 3.20                       | 2.80        | 6.5     | 6.4  | 3/4" NPT 110 °C |  |
| 1.25                      | 1.40 | 3.20                       | 2.80        | 6.0     | 6.3  | 3/4" NPT 110 °C |  |
| 3.00                      | 3.00 | 5.20                       | 4.60        | 8.3     | 8.2  | 3/4" NPT 110 °C |  |
| 3.00                      | 3.00 | 5.20                       | 4.60        | 8.5     | 9.7  | 3/4" NPT 110 °C |  |

## 4 POLES - 1500/1800 rpm

| Wm (kgcm) |       | Model             |                   | Centrifugal Force (kg) |       | Weight (kg) |      |
|-----------|-------|-------------------|-------------------|------------------------|-------|-------------|------|
| 50Hz      | 60Hz  | 50Hz              | 60Hz              | 50Hz                   | 60Hz  | 50Hz        | 60Hz |
| 56.8      | 39.4  | MVE 700/15D-50A0  | MVE 700/18D-50A0  | 714                    | 712   | 45          |      |
| 88.7      | 56.8  | MVE 1100/15D-50A0 | MVE 1100/18D-50A0 | 1,114                  | 1,028 | 52          | 45   |
| 108.6     | 76.7  | MVE 1400/15D-60A0 | MVE 1400/18D-60A0 | 1,364                  | 1,388 | 73          | 70   |
| 137.3     | 92.0  | MVE 1700/15D-60A0 | MVE 1700/18D-60A0 | 1,725                  | 1,664 | 76          | 61   |
| 187.7     | 137.4 | MVE 2400/15D-60A0 | MVE 2400/18D-60A0 | 2,358                  | 2,485 | 78          | 72   |
| 203.5     | 135.6 | MVE 2500/15D-70A0 | MVE 2500/18D-70A0 | 2,557                  | 2,454 | 99          | 93   |
| 248.7     | 169.8 | MVE 3000/15D-70A0 | MVE 3000/18D-70A0 | 3,124                  | 3,071 | 105         | 97   |
| 306.7     | 204.7 | MVE 3800/15D-75A0 | MVE 3800/18D-75A0 | 3,853                  | 3,704 | 136         | 125  |
| 193.0     | 193.0 | MVE 3811/15D-75A0 | MVE 3811/18D-75A0 | 2,425                  | 3,492 | 136         | 125  |
| 343.2     | 240.9 | MVE 4300/15D-75A0 | MVE 4300/18D-75A0 | 4,312                  | 4,359 | 140         | 130  |
| 437.4     | 303.7 | MVE 5500/15D-80A0 | MVE 5500/18D-80A0 | 5,495                  | 5,495 | 193         | 183  |

| ELECTRICAL SPECIFICATIONS |      |                            |             |       |      |                 |  |
|---------------------------|------|----------------------------|-------------|-------|------|-----------------|--|
| Input Power (kW)          |      | Nominal Current A max. (Y) |             | Ia/In |      | Cable Gland     |  |
| 50Hz                      | 60Hz | 50Hz (400V)                | 60Hz (460V) | 50Hz  | 60Hz | Metric          |  |
| 0.55                      | 0.66 | 1.00                       | 1.00        | 3.0   | 3.2  | 3/4" NPT 110 °C |  |
| 0.60                      | 0.68 | 1.27                       | 1.50        | 3.8   | 3.8  | 3/4" NPT 110 °C |  |
| 0.75                      | 1.00 | 1.67                       | 1.80        | 4.0   | 4.0  | 3/4" NPT 110 °C |  |
| 1.00                      | 1.20 | 1.95                       | 2.00        | 4.7   | 4.5  | 3/4" NPT 110 °C |  |
| 1.25                      | 1.40 | 2.80                       | 2.70        | 4.9   | 4.9  | 3/4" NPT 110 °C |  |
| 1.50                      | 1.60 | 2.70                       | 2.60        | 6.0   | 6.1  | 3/4" NPT 110 °C |  |
| 1.65                      | 1.90 | 2.80                       | 2.70        | 6.5   | 6.6  | 3/4" NPT 110 °C |  |
| 2.30                      | 2.25 | 4.10                       | 3.96        | 6.8   | 6.8  | 3/4" NPT 110 °C |  |
| 2.30                      | 2.25 | 4.10                       | 3.96        | 6.8   | 6.8  | 3/4" NPT 110 °C |  |
| 2.40                      | 2.60 | 4.30                       | 4.10        | 7.0   | 7.2  | 3/4" NPT 110 °C |  |
| 3.10                      | 3.10 | 5.70                       | 5.30        | 7.1   | 7.0  | 3/4" NPT 110 °C |  |

SIZE 50A0



**UP TO SIZE 50 (INCLUDED)**  
60Hz masses = 50Hz masses adjusted at 70%  
Except for model MVE 1100/15D - 1100/18D

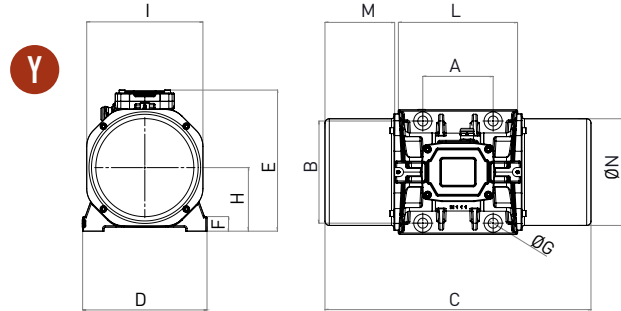
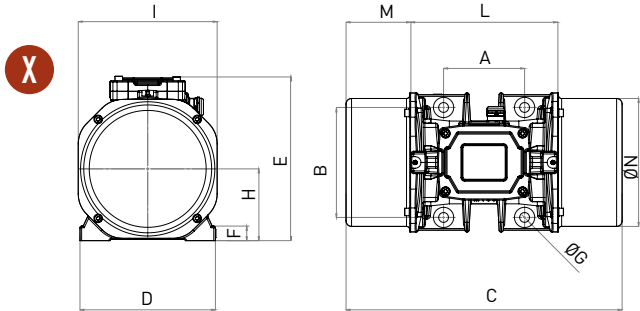


**ABOVE SIZE 50 (NOT INCLUDED)**  
Specific masses for 60Hz

To convert kg into Newton:  $N = 9.81 \cdot kg$



- » II 2G Ex db IIB T3
- » Compliance with Essential Health and Safety Requirements
- » IEC EN 60079-0, IEC EN 60079-31, IEC EN 60079-1



| Model            |                   | Drawing | Size | DIMENSIONAL SPECIFICATIONS (mm) |      |      |      |      |   |     |       |    |     |     |     |     |   |   |
|------------------|-------------------|---------|------|---------------------------------|------|------|------|------|---|-----|-------|----|-----|-----|-----|-----|---|---|
|                  |                   |         |      | C                               |      | M    |      | A    | B | Ø G | Holes | D  | E   | F   | H   | I   | L | N |
|                  |                   |         |      | 50Hz                            | 60Hz | 50Hz | 60Hz |      |   |     | n°    |    |     |     |     |     |   |   |
| MVE 800/3D-50A0  | MVE 800/36D-50A0  | X       | 50A0 | 332                             | 63   | 120  | 170  | 17   | 4 | 209 | 251   | 27 | 103 | 185 | 205 | 165 |   |   |
| MVE 1300/3D-50A0 | MVE 1300/36D-50A0 | X       | 50A0 | 332                             | 63   | 120  | 170  | 17   | 4 | 209 | 251   | 27 | 103 | 185 | 205 | 165 |   |   |
| MVE 1600/3D-60A0 | MVE 1600/36D-60A0 | X       | 60A0 | 477                             | 111  | 140  | 190  | 17   | 4 | 234 | 283   | 25 | 124 | 240 | 254 | 221 |   |   |
| MVE 2000/3D-60A0 | MVE 2000/36D-60A0 | X       | 60A0 | 477                             | 111  | 140  | 190  | 17   | 4 | 234 | 283   | 25 | 124 | 240 | 254 | 221 |   |   |
| MVE 2300/3D-60A0 | MVE 2300/36D-60A0 | X       | 60A0 | 477                             | 111  | 140  | 190  | 17   | 4 | 234 | 283   | 25 | 124 | 240 | 254 | 221 |   |   |
| MVE 3200/3D-75A0 | MVE 3200/36D-75A0 | Y       | 75A0 | 540                             | 118  | 155  | 255  | 23.5 | 4 | 302 | 330   | 30 | 150 | 280 | 304 | 265 |   |   |
| MVE 4000/3D-75A0 | MVE 4000/36D-75A0 | Y       | 75A0 | 554                             | 125  | 155  | 255  | 23.5 | 4 | 302 | 330   | 30 | 150 | 280 | 304 | 265 |   |   |

| Model             |                   | Drawing | Size | DIMENSIONAL SPECIFICATIONS (mm) |      |      |      |      |     |     |       |     |     |     |     |     |     |     |
|-------------------|-------------------|---------|------|---------------------------------|------|------|------|------|-----|-----|-------|-----|-----|-----|-----|-----|-----|-----|
|                   |                   |         |      | C                               |      | M    |      | A    | B   | Ø G | Holes | D   | E   | F   | H   | I   | L   | N   |
|                   |                   |         |      | 50Hz                            | 60Hz | 50Hz | 60Hz |      |     |     | n°    |     |     |     |     |     |     |     |
| MVE 700/15D-50A0  | MVE 700/18D-50A0  | X       | 50A0 | 396                             | 95   | 120  | 170  | 17   | 4   | 209 | 251   | 27  | 103 | 185 | 205 | 165 |     |     |
| MVE 1100/15D-50A0 | MVE 1100/18D-50A0 | X       | 50A0 | 466                             | 396  | 130  | 95   | 120  | 170 | 17  | 4     | 209 | 251 | 27  | 103 | 185 | 205 | 165 |
| MVE 1400/15D-60A0 | MVE 1400/18D-60A0 | X       | 60A0 | 477                             | 111  | 140  | 190  | 17   | 4   | 234 | 283   | 25  | 124 | 240 | 254 | 221 |     |     |
| MVE 1700/15D-60A0 | MVE 1700/18D-60A0 | X       | 60A0 | 477                             | 111  | 140  | 190  | 17   | 4   | 234 | 283   | 25  | 124 | 240 | 254 | 221 |     |     |
| MVE 2400/15D-60A0 | MVE 2400/18D-60A0 | X       | 60A0 | 521                             | 133  | 140  | 190  | 17   | 4   | 234 | 283   | 25  | 124 | 240 | 254 | 221 |     |     |
| MVE 2500/15D-70A0 | MVE 2500/18D-70A0 | Y       | 70A0 | 525                             | 123  | 155  | 225  | 22   | 4   | 274 | 311   | 32  | 140 | 256 | 279 | 235 |     |     |
| MVE 3000/15D-70A0 | MVE 3000/18D-70A0 | Y       | 70A0 | 586                             | 153  | 155  | 225  | 22   | 4   | 274 | 311   | 32  | 140 | 256 | 279 | 235 |     |     |
| MVE 3800/15D-75A0 | MVE 3800/18D-75A0 | Y       | 75A0 | 596                             | 146  | 155  | 255  | 23.5 | 4   | 302 | 330   | 30  | 150 | 280 | 304 | 265 |     |     |
| MVE 3811/15D-75A0 | MVE 3811/18D-75A0 | Y       | 75A0 | 596                             | 146  | 155  | 255  | 23.5 | 4   | 302 | 330   | 30  | 150 | 280 | 304 | 265 |     |     |
| MVE 4300/15D-75A0 | MVE 4300/18D-75A0 | Y       | 75A0 | 616                             | 156  | 155  | 255  | 23.5 | 4   | 302 | 330   | 30  | 150 | 280 | 304 | 265 |     |     |
| MVE 5500/15D-80A0 | MVE 5500/18D-80A0 | Y       | 80A0 | 612                             | 127  | 180  | 280  | 26   | 4   | 330 | 379   | 33  | 176 | 330 | 358 | 310 |     |     |

Notes:

.....

.....

.....

.....

NOTE: Dimensions with coarse degree of accuracy related to UNI 22768/1

This information is provided without warranty, representation, inducement or licence of any kind. It is accurate to the best OLI knowledge or is obtained from sources believed to be accurate. OLI therefore assumes no legal responsibility.



- » Class I, Div.1 Group C, D T3 IP66
- » Conform to UL 1004-1, UL 674, CSA 22.2 60079-0, CSA 22.2 60079-31, CSA 22.2 100, , CSA 22.2 60079-1

STANDARD

INCREASED SAFETY

EXPLOSION-PROOF

HI-STROKE MILLING



# MVE-Exd EXPLOSION-PROOF



## 6 POLES - 1000/1200 rpm

| Wm (kgcm) |       | Model            |                   | Centrifugal Force (kg) |       | Weight (kg) |      |
|-----------|-------|------------------|-------------------|------------------------|-------|-------------|------|
|           |       |                  |                   | 50Hz                   | 60Hz  | 50Hz        | 60Hz |
| 50Hz      | 60Hz  | 50Hz             | 60Hz              | 50Hz                   | 60Hz  | 50Hz        | 60Hz |
| 91.9      |       | MVE 500/1D-50A0  | MVE 500/12D-50A0  | 513                    | 739   | 54          |      |
| 137.4     | 108.6 | MVE 800/1D-60A0  | MVE 800/12D-60A0  | 767                    | 873   | 73          | 71   |
| 187.7     | 137.3 | MVE 1100/1D-60A0 | MVE 1100/12D-60A0 | 1,048                  | 1,104 | 80          | 74   |
| 284.8     | 196.5 | MVE 1500/1D-60A0 | MVE 1500/12D-60A0 | 1,590                  | 1,580 | 94          | 83   |
| 299.6     | 203.5 | MVE 1600/1D-70A0 | MVE 1600/12D-70A0 | 1,673                  | 1,636 | 109         | 99   |
| 373.1     | 248.7 | MVE 2100/1D-70A0 | MVE 2100/12D-70A0 | 2,083                  | 2,000 | 121         | 107  |
| 467.4     | 306.7 | MVE 2600/1D-75A0 | MVE 2600/12D-75A0 | 2,610                  | 2,466 | 153         | 136  |
| 540.3     | 379.7 | MVE 3000/1D-75A0 | MVE 3000/12D-75A0 | 3,017                  | 3,053 | 161         | 135  |
| 680.4     | 437.4 | MVE 3800/1D-80A0 | MVE 3800/12D-80A0 | 3,799                  | 3,517 | 215         | 196  |
| 838.3     | 584.2 | MVE 4700/1D-80A0 | MVE 4700/12D-80A0 | 4,681                  | 4,697 | 231         | 212  |

| ELECTRICAL SPECIFICATIONS |      |                            |             |       |      |                 |  |  |  |
|---------------------------|------|----------------------------|-------------|-------|------|-----------------|--|--|--|
| Input Power (kW)          |      | Nominal Current A max. (Y) |             | Ia/In |      | Cable Gland     |  |  |  |
| 50Hz                      | 60Hz | 50Hz (400V)                | 60Hz (460V) | 50Hz  | 60Hz | Metric          |  |  |  |
| 0.30                      | 0.32 | 1.10                       | 1.05        | 2.8   | 2.7  | 3/4" NPT 110 °C |  |  |  |
| 0.57                      | 0.68 | 1.14                       | 1.21        | 3.2   | 3.1  | 3/4" NPT 110 °C |  |  |  |
| 0.56                      | 0.58 | 1.40                       | 1.30        | 3.2   | 3.1  | 3/4" NPT 110 °C |  |  |  |
| 0.80                      | 0.90 | 1.60                       | 1.70        | 3.3   | 3.3  | 3/4" NPT 110 °C |  |  |  |
| 1.00                      | 1.13 | 2.50                       | 2.72        | 3.7   | 3.6  | 3/4" NPT 110 °C |  |  |  |
| 1.20                      | 1.35 | 2.80                       | 3.00        | 4.3   | 4.4  | 3/4" NPT 110 °C |  |  |  |
| 1.50                      | 1.60 | 3.50                       | 3.30        | 4.8   | 4.8  | 3/4" NPT 110 °C |  |  |  |
| 1.75                      | 1.90 | 4.30                       | 4.00        | 5.0   | 5.0  | 3/4" NPT 110 °C |  |  |  |
| 2.10                      | 2.30 | 5.00                       | 4.80        | 5.9   | 6.0  | 3/4" NPT 110 °C |  |  |  |
| 2.50                      | 2.80 | 6.20                       | 6.00        | 5.5   | 5.7  | 3/4" NPT 110 °C |  |  |  |

## 8 POLES - 750/900 rpm

| Wm (kgcm) |      | Model              |                    | Centrifugal Force (kg) |       | Weight (kg) |
|-----------|------|--------------------|--------------------|------------------------|-------|-------------|
|           |      |                    |                    | 50Hz                   | 60Hz  | 50Hz-60Hz   |
| 50Hz      | 60Hz | 50Hz               | 60Hz               | 50Hz-60Hz              | 50Hz  | 60Hz        |
| 56.9      |      | MVE 250/075D-50A0  | MVE 250/090D-50A0  | 179                    | 257   | 47          |
| 84.0      |      | MVE 400/075D-50A0  | MVE 400/090D-50A0  | 264                    | 380   | 54          |
| 137.3     |      | MVE 650/075D-60A0  | MVE 650/090D-60A0  | 431                    | 621   | 73          |
| 187.7     |      | MVE 900/075D-60A0  | MVE 900/090D-60A0  | 589                    | 849   | 82          |
| 299.6     |      | MVE 1300/075D-70A0 | MVE 1300/090D-70A0 | 941                    | 1,355 | 109         |
| 467.4     |      | MVE 2100/075D-75A0 | MVE 2100/090D-75A0 | 1,468                  | 2,114 | 153         |
| 680.3     |      | MVE 3100/075D-80A0 | MVE 3100/090D-80A0 | 2,137                  | 3,077 | 214         |
| 838.4     |      | MVE 3800/075D-80A0 | MVE 3800/090D-80A0 | 2,633                  | 3,792 | 230         |

| ELECTRICAL SPECIFICATIONS |      |                            |             |       |      |                 |  |  |  |
|---------------------------|------|----------------------------|-------------|-------|------|-----------------|--|--|--|
| Input Power (kW)          |      | Nominal Current A max. (Y) |             | Ia/In |      | Cable Gland     |  |  |  |
| 50Hz                      | 60Hz | 50Hz (400V)                | 60Hz (460V) | 50Hz  | 60Hz | Metric          |  |  |  |
| 0.35                      | 0.38 | 1.15                       | 1.15        | 1.7   | 1.7  | 3/4" NPT 110 °C |  |  |  |
| 0.35                      | 0.38 | 1.15                       | 1.15        | 1.9   | 1.9  | 3/4" NPT 110 °C |  |  |  |
| 0.43                      | 0.50 | 1.12                       | 1.10        | 2.2   | 2.2  | 3/4" NPT 110 °C |  |  |  |
| 0.55                      | 0.60 | 1.40                       | 1.20        | 2.5   | 2.5  | 3/4" NPT 110 °C |  |  |  |
| 0.80                      | 0.80 | 2.20                       | 2.10        | 3.0   | 3.0  | 3/4" NPT 110 °C |  |  |  |
| 1.25                      | 1.30 | 3.20                       | 2.80        | 4.2   | 4.1  | 3/4" NPT 110 °C |  |  |  |
| 1.50                      | 1.80 | 3.80                       | 3.80        | 4.0   | 4.0  | 3/4" NPT 110 °C |  |  |  |
| 2.50                      | 3.20 | 5.50                       | 5.70        | 3.9   | 4.0  | 3/4" NPT 110 °C |  |  |  |

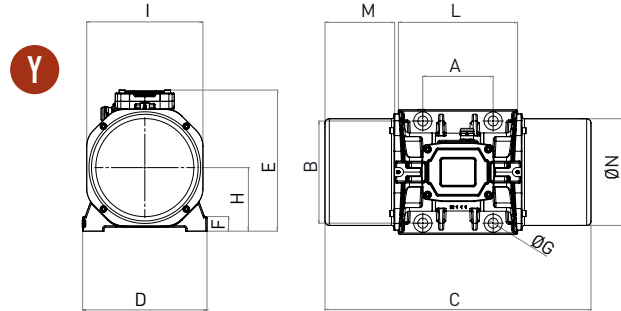
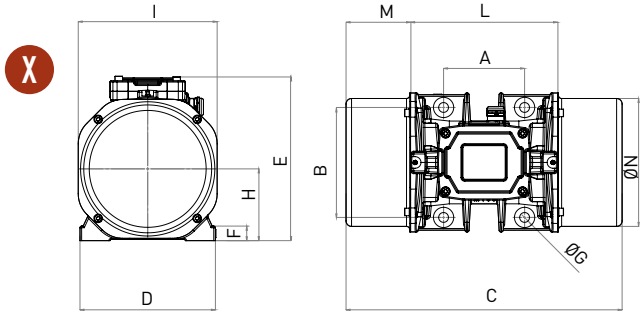
SIZE 60A0



To convert kg into Newton:  $N = 9.81 \cdot kg$



- » II 2G Ex db IIB T3
- » Compliance with Essential Health and Safety Requirements
- » IEC EN 60079-0, IEC EN 60079-31, IEC EN 60079-1



| Model            |                   | Drawing | Size | DIMENSIONAL SPECIFICATIONS (mm) |      |      |      |      |   |     |       |    |     |     |     |     |   |
|------------------|-------------------|---------|------|---------------------------------|------|------|------|------|---|-----|-------|----|-----|-----|-----|-----|---|
|                  |                   |         |      | C                               |      | M    |      | A    | B | Ø G | Holes | D  | E   | F   | H   | I   | L |
| 50Hz             | 60Hz              |         |      | 50Hz                            | 60Hz | 50Hz | 60Hz |      |   |     | n°    |    |     |     |     |     |   |
| MVE 500/1D-50A0  | MVE 500/12D-50A0  | X       | 50A0 | 466                             | 130  | 120  | 170  | 17   | 4 | 209 | 251   | 27 | 103 | 185 | 205 | 165 |   |
| MVE 800/1D-60A0  | MVE 800/12D-60A0  | X       | 60A0 | 477                             | 111  | 140  | 190  | 17   | 4 | 234 | 283   | 25 | 124 | 240 | 254 | 221 |   |
| MVE 1100/1D-60A0 | MVE 1100/12D-60A0 | X       | 60A0 | 521                             | 133  | 140  | 190  | 17   | 4 | 234 | 283   | 25 | 124 | 240 | 254 | 221 |   |
| MVE 1500/1D-60A0 | MVE 1500/12D-60A0 | X       | 60A0 | 597                             | 171  | 140  | 190  | 17   | 4 | 234 | 283   | 25 | 124 | 240 | 254 | 221 |   |
| MVE 1600/1D-70A0 | MVE 1600/12D-70A0 | Y       | 70A0 | 586                             | 153  | 155  | 225  | 22   | 4 | 274 | 311   | 32 | 140 | 256 | 279 | 235 |   |
| MVE 2100/1D-70A0 | MVE 2100/12D-70A0 | Y       | 70A0 | 646                             | 183  | 155  | 225  | 22   | 4 | 274 | 311   | 32 | 140 | 256 | 279 | 235 |   |
| MVE 2600/1D-75A0 | MVE 2600/12D-75A0 | Y       | 75A0 | 724                             | 210  | 155  | 255  | 23.5 | 4 | 302 | 330   | 30 | 150 | 280 | 304 | 264 |   |
| MVE 3000/1D-75A0 | MVE 3000/12D-75A0 | Y       | 75A0 | 724                             | 210  | 155  | 255  | 23.5 | 4 | 302 | 330   | 30 | 150 | 280 | 304 | 264 |   |
| MVE 3800/1D-80A0 | MVE 3800/12D-80A0 | Y       | 80A0 | 692                             | 167  | 180  | 280  | 26   | 4 | 330 | 379   | 33 | 176 | 330 | 358 | 310 |   |
| MVE 4700/1D-80A0 | MVE 4700/12D-80A0 | Y       | 80A0 | 744                             | 193  | 180  | 280  | 26   | 4 | 330 | 379   | 33 | 176 | 330 | 358 | 310 |   |

| Model              |                    | Drawing | Size | DIMENSIONAL SPECIFICATIONS (mm) |           |     |     |      |   |     |       |    |     |     |     |     |   |
|--------------------|--------------------|---------|------|---------------------------------|-----------|-----|-----|------|---|-----|-------|----|-----|-----|-----|-----|---|
|                    |                    |         |      | C                               |           | M   |     | A    | B | Ø G | Holes | D  | E   | F   | H   | I   | L |
| 50Hz               | 60Hz               |         |      | 50Hz-60Hz                       | 50Hz-60Hz |     |     |      |   |     | n°    |    |     |     |     |     |   |
| MVE 250/075D-50A0  | MVE 250/090D-50A0  | X       | 50A0 | 396                             | 95        | 120 | 170 | 17   | 4 | 209 | 251   | 27 | 103 | 185 | 205 | 165 |   |
| MVE 400/075D-50A0  | MVE 400/090D-50A0  | X       | 50A0 | 466                             | 130       | 120 | 170 | 17   | 4 | 209 | 251   | 27 | 103 | 185 | 205 | 165 |   |
| MVE 650/075D-60A0  | MVE 650/090D-60A0  | X       | 60A0 | 477                             | 111       | 140 | 190 | 17   | 4 | 234 | 283   | 25 | 124 | 240 | 254 | 221 |   |
| MVE 900/075D-60A0  | MVE 900/090D-60A0  | X       | 60A0 | 521                             | 133       | 140 | 190 | 17   | 4 | 234 | 283   | 25 | 124 | 240 | 254 | 221 |   |
| MVE 1300/075D-70A0 | MVE 1300/090D-70A0 | Y       | 70A0 | 586                             | 153       | 155 | 225 | 22   | 4 | 274 | 311   | 32 | 140 | 256 | 279 | 235 |   |
| MVE 2100/075D-75A0 | MVE 2100/090D-75A0 | Y       | 75A0 | 724                             | 210       | 155 | 255 | 23.5 | 4 | 302 | 330   | 30 | 150 | 280 | 304 | 264 |   |
| MVE 3100/075D-80A0 | MVE 3100/090D-80A0 | Y       | 80A0 | 692                             | 167       | 180 | 280 | 26   | 4 | 330 | 379   | 33 | 176 | 330 | 358 | 310 |   |
| MVE 3800/075D-80A0 | MVE 3800/090D-80A0 | Y       | 80A0 | 744                             | 193       | 180 | 280 | 26   | 4 | 330 | 379   | 33 | 176 | 330 | 358 | 310 |   |

Notes:

.....

.....

.....

.....

NOTE: Dimensions with coarse degree of accuracy related to UNI 22768/1

This information is provided without warranty, representation, inducement or licence of any kind. It is accurate to the best OLI knowledge or is obtained from sources believed to be accurate. OLI therefore assumes no legal responsibility.



- » Class I, Div.1 Group C, D T3 IP66
- » Conform to UL 1004-1, UL 674, CSA 22.2 60079-0, CSA 22.2 60079-31, CSA 22.2 100, , CSA 22.2 60079-1

STANDARD

INCREASED SAFETY

EXPLOSION-PROOF

HI-STROKE MILLING

## 8 POLES - 750 rpm

| Wm (kgcm) |      | Model        |      | Centrifugal Force (kg) |      | Weight (kg) |      | ELECTRICAL SPECIFICATIONS |      |                            |      |         |      |             | CERTIFICATE |
|-----------|------|--------------|------|------------------------|------|-------------|------|---------------------------|------|----------------------------|------|---------|------|-------------|-------------|
|           |      |              |      |                        |      |             |      | Input Power (kW)          |      | Nominal Current A max. (Y) |      | Ia / In |      | Cable Gland | Ex II3D     |
| 50Hz      | 60Hz | 50Hz         | 60Hz | 50Hz                   | 60Hz | 50Hz        | 60Hz | 50Hz                      | 60Hz | 50Hz                       | 60Hz | 50Hz    | 60Hz | Metric      | Temp. Class |
| 383.2     | -    | MVE 1200/075 | NA   | 1,203                  | -    | 94          |      | 0.65                      | -    | 1.30                       | -    | 2.5     | -    | M25         | 135 °C      |
| 471.2     | -    | MVE 1400/075 | NA   | 1,480                  | -    | 104         |      | 0.65                      | -    | 1.50                       | -    | 2.5     | -    | M25         | 135 °C      |

## 10 POLES - 600/720 rpm

| Wm (kgcm) |      | Model        |              | Centrifugal Force (kg) |       | Weight (kg) |      | ELECTRICAL SPECIFICATIONS |      |                            |      |         |      |             | CERTIFICATE |
|-----------|------|--------------|--------------|------------------------|-------|-------------|------|---------------------------|------|----------------------------|------|---------|------|-------------|-------------|
|           |      |              |              |                        |       |             |      | Input Power (kW)          |      | Nominal Current A max. (Δ) |      | Ia / In |      | Cable Gland | Ex II3D     |
| 50Hz      | 60Hz | 50Hz         | 60Hz         | 50Hz                   | 60Hz  | 50Hz        | 60Hz | 50Hz                      | 60Hz | 50Hz                       | 60Hz | 50Hz    | 60Hz | Metric      | Temp. Class |
| 383.2     |      | MVE 1200/060 | MVE 1200/072 | 770                    | 1,110 | 94          |      | 0.78                      | 0.78 | 1.40                       | 1.30 | 1.5     | 1.5  | M25         | 100 °C      |
| 471.2     |      | MVE 1400/060 | MVE 1400/072 | 947                    | 1,364 | 104         |      | 0.78                      | 0.78 | 1.40                       | 1.30 | 1.5     | 1.5  | M25         | 100 °C      |

SIZE 60 - MILLING



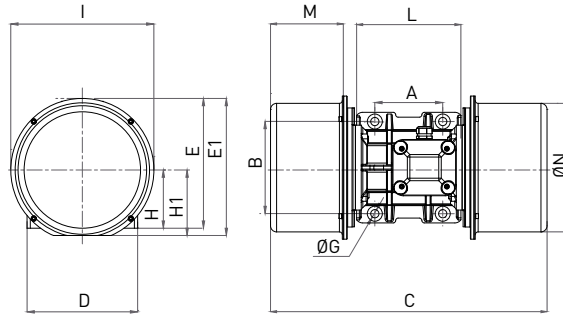
60Hz masses = 50Hz masses adjusted at 100%

To convert kg into Newton:  $N = 9.81 \cdot kg$



- » II3D Ex tc IIIC Tx IP66
- » Equipment and protective system intended for use in potentially explosive atmospheres [Zone 22] - Directive 2014/34/UE
- » Compliance with Essential Health and Safety Requirements
- » IEC 60079-10-2

L



DIMENSIONAL SPECIFICATIONS (mm)

| Model        |    | Drawing | Size | C    |      | M    |      | A  | B | Ø G | Holes | D   | E  | E1  | F   | H   | H1  | I   | L | N |
|--------------|----|---------|------|------|------|------|------|----|---|-----|-------|-----|----|-----|-----|-----|-----|-----|---|---|
|              |    |         |      | 50Hz | 60Hz | 50Hz | 60Hz |    |   |     | N°    |     |    |     |     |     |     |     |   |   |
| MVE 1200/075 | NA | L       | 60   | 570  | 150  | 140  | 190  | 17 | 4 | 228 | 268   | 283 | 23 | 120 | 135 | 295 | 220 | 265 |   |   |
| MVE 1400/075 | NA | L       | 60   | 570  | 140  | 140  | 190  | 17 | 4 | 228 | 268   | 283 | 23 | 120 | 135 | 295 | 220 | 265 |   |   |

DIMENSIONAL SPECIFICATIONS (mm)

| Model        |              | Drawing | Size | C    |      | M    |      | A  | B | Ø G | Holes | D   | E  | E1  | F   | H   | H1  | I   | L | N |
|--------------|--------------|---------|------|------|------|------|------|----|---|-----|-------|-----|----|-----|-----|-----|-----|-----|---|---|
|              |              |         |      | 50Hz | 60Hz | 50Hz | 60Hz |    |   |     | N°    |     |    |     |     |     |     |     |   |   |
| MVE 1200/060 | MVE 1200/072 | L       | 60   | 570  | 150  | 140  | 190  | 17 | 4 | 228 | 268   | 283 | 23 | 135 | 135 | 295 | 220 | 265 |   |   |
| MVE 1400/060 | MVE 1400/072 | L       | 60   | 570  | 150  | 140  | 190  | 17 | 4 | 228 | 268   | 283 | 23 | 135 | 135 | 295 | 220 | 265 |   |   |

Notes:

.....

.....

.....

.....

NOTE: Dimensions with coarse degree of accuracy related to UNI 22768/1

This information is provided without warranty, representation, inducement or licence of any kind. It is accurate to the best OLI knowledge or is obtained from sources believed to be accurate. OLI therefore assumes no legal responsibility.



» Declaration of conformity "type B" according to:  
2014/35/UE - 2006/42/EC - EN 60034-1

STANDARD

INCREASED SAFETY

EXPLOSION - PROOF

HI-STROKE MILLING



# INSTALLATION

## Mounting

The base plate surface where the vibrator motor is mounted has an allowable tolerance of 0.25mm (0.01in), so that the surfaces rest uniformly against each other to avoid internal tension that may cause breakage of the foot of the vibrator motor.

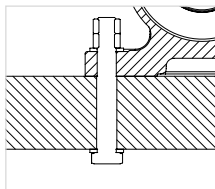
Use 8.8 type bolts, 8.0 type nuts and flat washers belonging to category A EN ISO 7089 / 7092.

The graph below shows the correct torque settings for the different bolt sizes used on the motor vibrators.

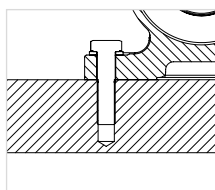
### Motor / Machine interface

| Screw  |          | Washer          |                      | Clamping torque |        |
|--------|----------|-----------------|----------------------|-----------------|--------|
| Metric | Imperial | Metric UNI 6592 | Imperial Flat washer | (Nm)            | (ftlb) |
| M6     | 1/4"     | 6.4 x 12        | 1/4"                 | 9               | 6.5    |
| M8     | 5/16"    | 8.4 x 16        | 5/16"                | 23              | 16.5   |
| M10    | 3/8"     | 10.5 x 20       | 3/8"                 | 45              | 33     |
| M12    | 1/2"     | 13 x 24         | 1/2"                 | 80              | 58     |
| M16    | 5/8"     | 17 x 30         | 5/8"                 | 185             | 137    |
| M20    | 13/16"   | 21 x 37         | 13/16"               | 373             | 275    |
| M22    | 7/8"     | 23 x 39         | 7/8"                 | 550             | 411    |
| M24    | 15/16"   | 25 x 44         | 15/16"               | 696             | 513    |
| M27    | 1"       | 28 x 50         | 1"                   | 873             | 645    |
| M36    | 1-3/8"   | 37 x 66         | 1-3/8"               | 1,864           | 1,370  |
| M42    | 1 5/8"   | 37 x 66         | 1 5/8"               | 2,850           | 2,102  |

### FIXING

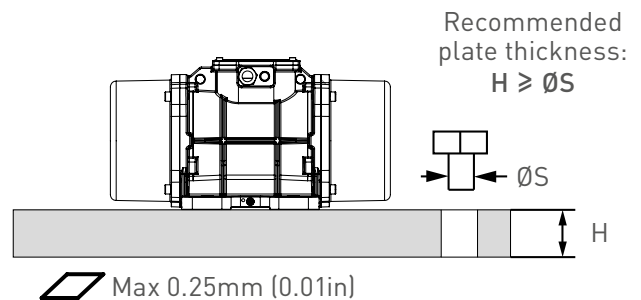


Smooth through borehole  
+ screw  
+ flat washer  
+ nut and conternut



Tapped threaded borehole  
+ screw  
+ flat washer

### SURFACE FLATNESS TOLERANCE



**MACHINED & NOT PAINTED SUPPORT PLATE**



## Electrical connection

Verify that the voltage and frequency supply match the ones indicated on the rating plate of the electric vibrator.

If the motor is operated via a variable frequency drive do not run it under 20 Hz and not over the rated frequency.

Insert the power cable through the cable gland. The lead-in wires have to be of the eyelet-type, pre-insulated, with a bore that suits the terminals of the junction box in order to prevent overheating of the wire. Use only conductors that have a suitable cross-section.

Connect the lead wires to the pins (as shown in the diagram below) and tighten them with the specified torque.

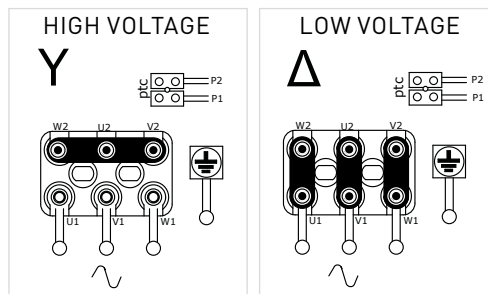
**Do not forget to fix the earthing cable to the provided studs → Compulsory connection!**

Before closing the junction box make sure that the cover gasket is properly fitted in order to keep the specified IP protection.

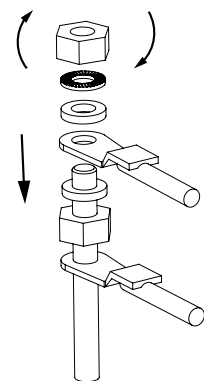
For more details on motor installation refer to product manuals.

| Junction box nuts tightening torque |     |      |
|-------------------------------------|-----|------|
| Screw                               | Nm  | ftlb |
| M4                                  | 2.5 | 1.84 |
| M5                                  | 4   | 2.95 |
| M6                                  | 5   | 3.69 |
| M8                                  | 6   | 4.43 |
| M10                                 | 8   | 5.90 |

### TERMINAL CONNECTIONS



Check "Nominal Current" column label to know the factory preset connection of each motor.



## Overload protection

All electric vibrators **MUST** be connected to a suitable external overload protection.

When using two electric vibrators in sync, each of them has to be connected to an external overload protection that must be interlocked to make sure both motors are stopped if one fails.

Always use a thermal-magnetic type motor protection, with delayed cut-off, to avoid stopping

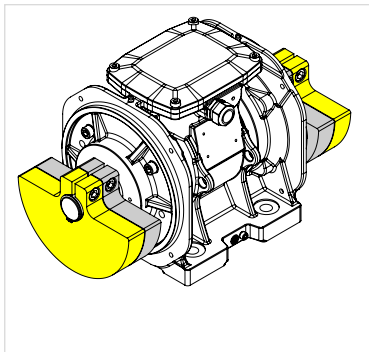
the motor during start-up when the current draw is higher than the rated running current for a few seconds.

Cut-off of the overload protection should be set at a maximum of +10% of the rated current.

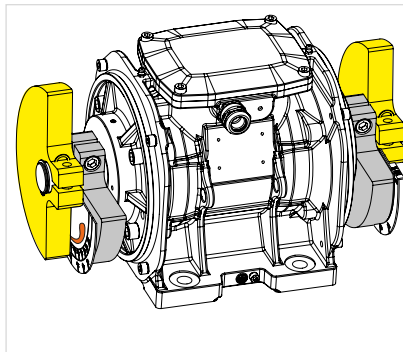


# HOW TO CHANGE THE VIBRATION INTENSITY

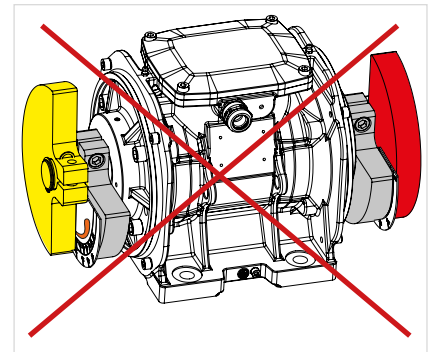
## Adjustable masses – Type A



MASSES AT 100%



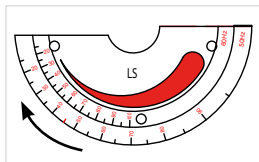
ADJUSTED MASSES



INCORRECTLY ADJUSTED MASSES

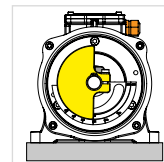
### 2 TIPS TO CORRECTLY ADJUST MASSES:

Rotate the mass following the design on the plate: from the thicker tip towards the thin tip.

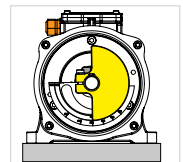


left side of the motor.  
for sizes up to 60

Rotate the masses in the opposite direction to the cable gland.

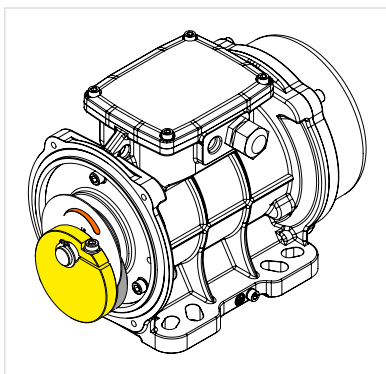


left side

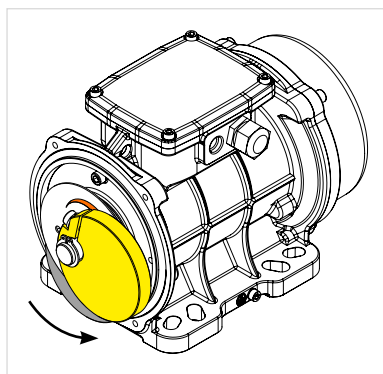


right side

## Adjustable masses – Type B

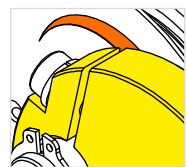


MASSES AT 100%

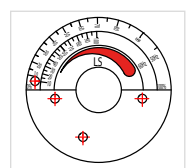


ADJUSTED MASSES

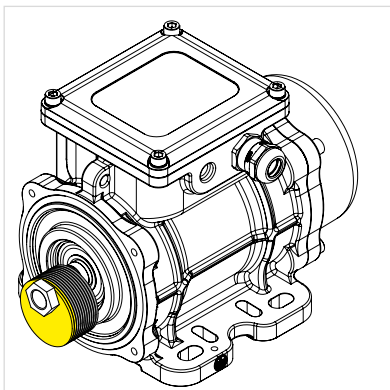
The fissure in the mass indicates the degree of adjustment.



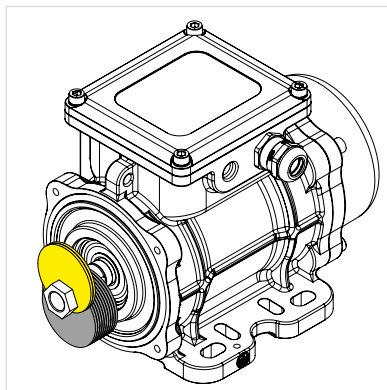
Rotate the mass following the design on the plate: from the thicker tip towards the thin tip.



## Adjustable masses – Type C (blade masses)



MASSES AT 100%



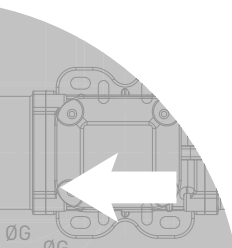
ADJUSTED MASSES

For technical information on the regulation of blade masses refer to the Use and Maintenance Manual.

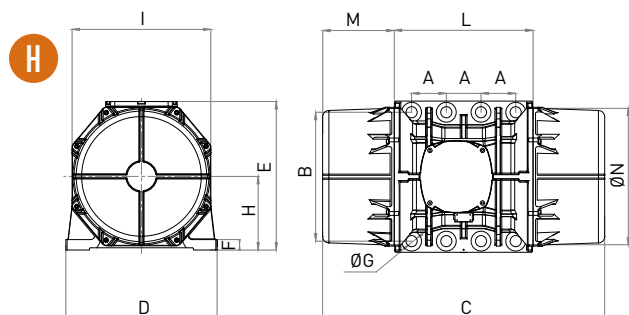
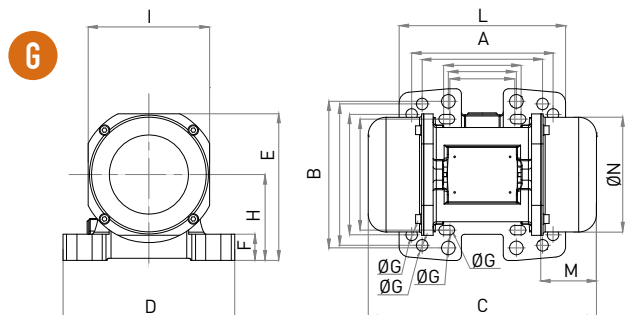
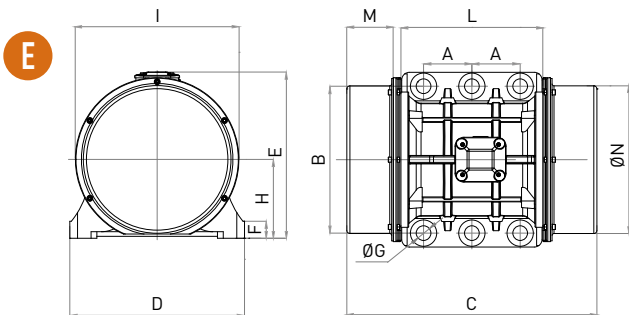
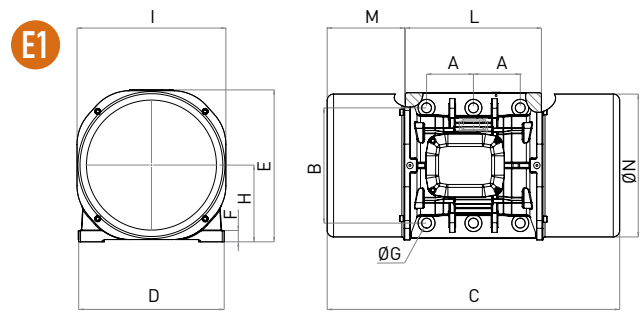
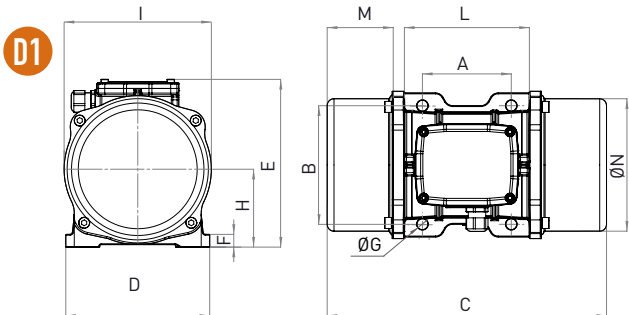
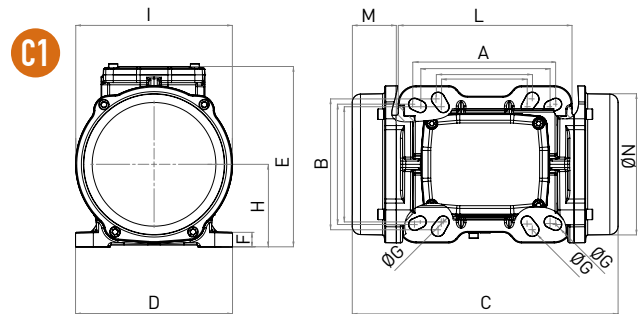
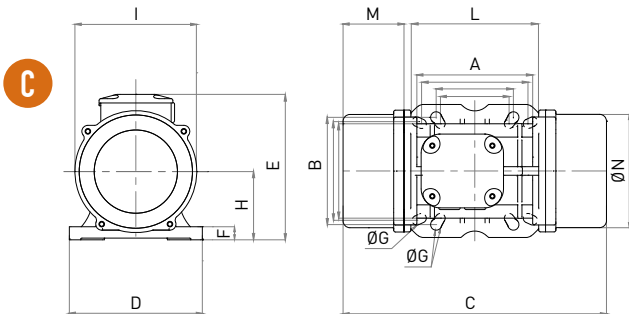
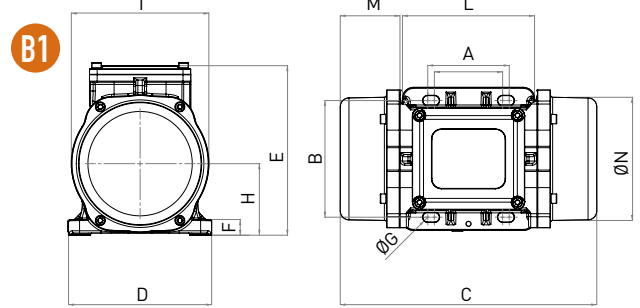
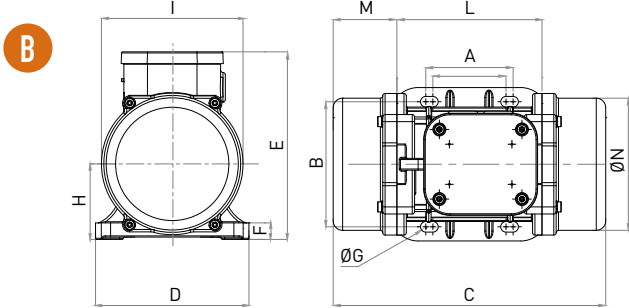
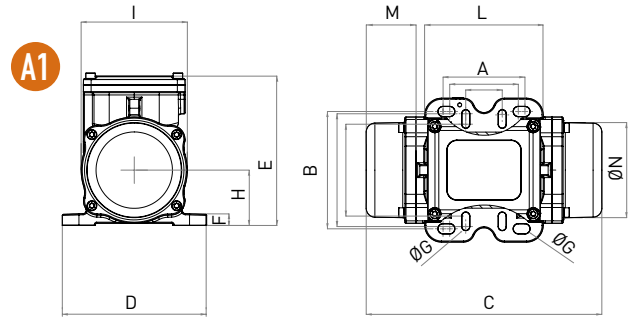
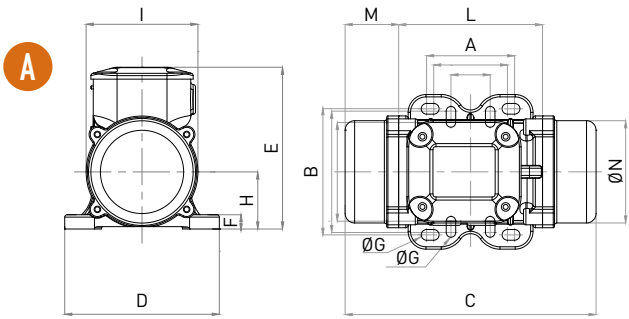


**Warning:**  
**DO NOT grease new motors before installation.**

OLI motors with roller bearings leave the factory filled with the right quantity of grease while those with ball bearing do not need any lubrication.



**TECHNICAL DRAWINGS**



# WHEN YOU NEED IT, WHERE YOU NEED IT. THE WORLDWIDE LEADER IN VIBRATION TECHNOLOGY

[WWW.OLIVIBRA.COM](http://WWW.OLIVIBRA.COM)



## OLI Headquarters

Via Canalazzo, 35  
41036 Medolla (MO) - Italy

+39 0535 41 06 11

[info@olivibra.com](mailto:info@olivibra.com)

## OLI worldwide

OLI Australia  
OLI Benelux  
OLI Brazil  
OLI China  
OLI France

OLI Germany  
OLI India  
OLI Italy  
OLI Malta  
OLI Middle East

OLI Nordic  
OLI Russia  
OLI South Africa  
OLI Spain  
OLI Thailand

OLI Turkey  
OLI UK  
OLI USA